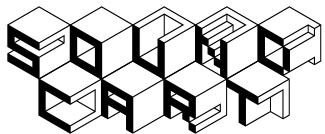
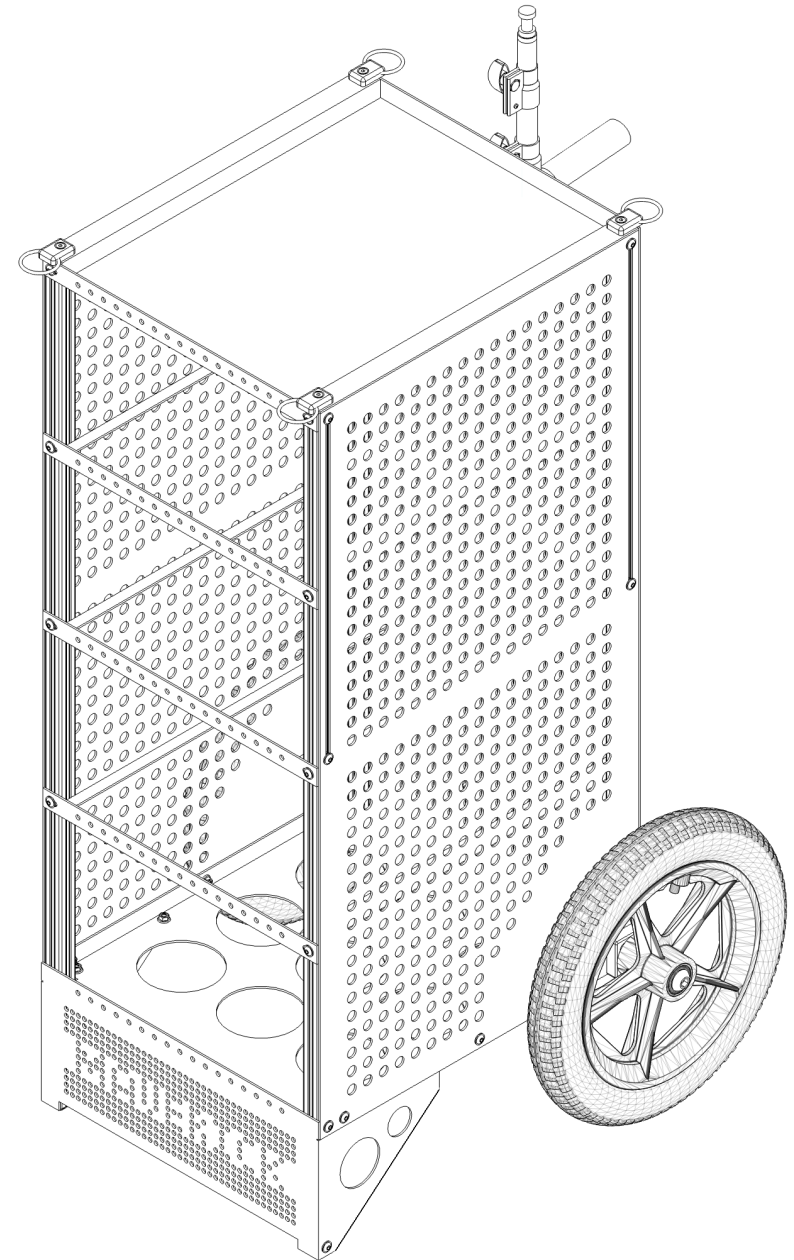


SC-MAVRK

Maverick



SC-MAVRK

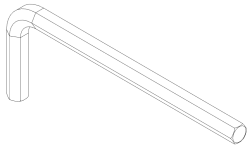
THANK YOU

Thank you for purchasing this cart. To assemble it, please follow the instructions found within this guide.

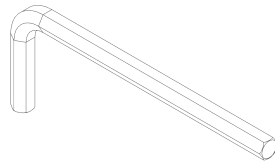
YOU WILL NEED

You will need the following tools to install this accessory:

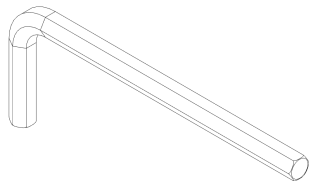
1x 3mm HEX key / Allen key *



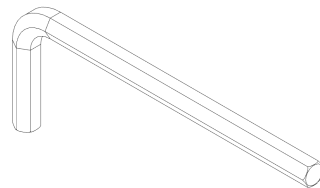
1x 4mm HEX key / Allen key *



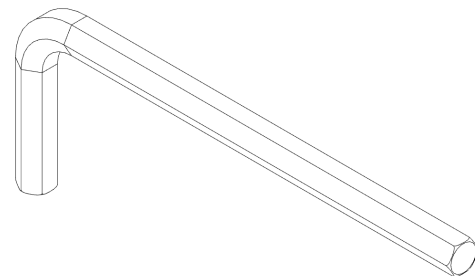
1x 5mm HEX key / Allen key *



1x 6mm HEX key / Allen key *



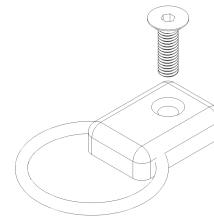
1x 8mm HEX key / Allen key *



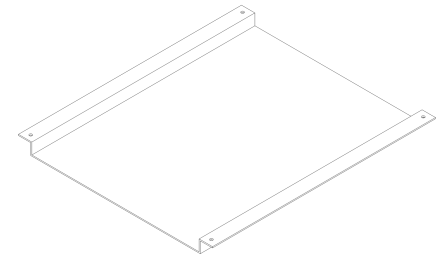
* Supplied

WHAT IS INCLUDED?

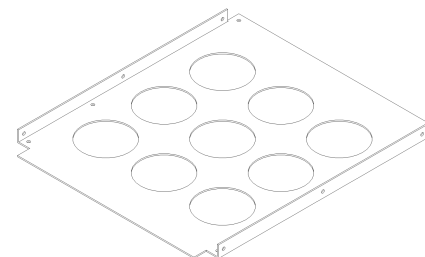
After removing from its packaging, check that you have the following:



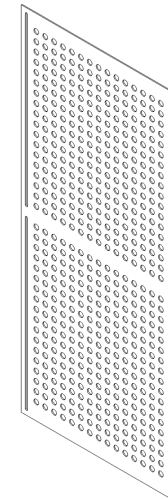
4x
SC-MAVRK.001



1x
SC-MAVRK.002

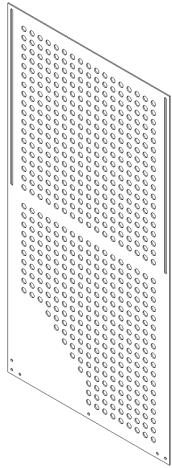


1x
SC-MAVRK.003

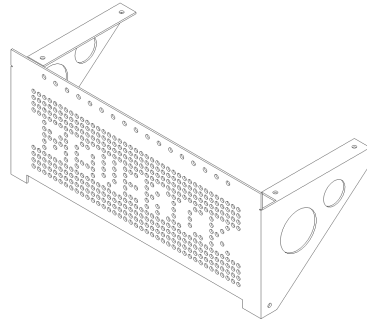


1x
SC-MAVRK.004

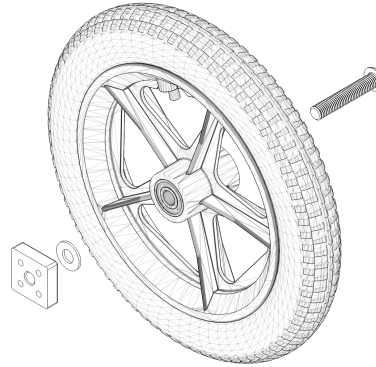
SC-MAVRK



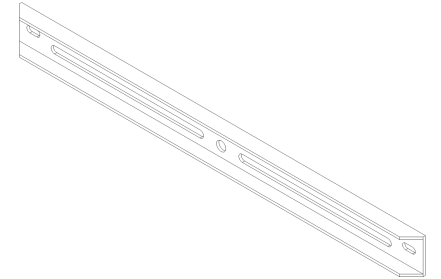
2x
SC-MAVRK.005



1x
SC-MAVRK.006



2x
SC-MAVRK.009



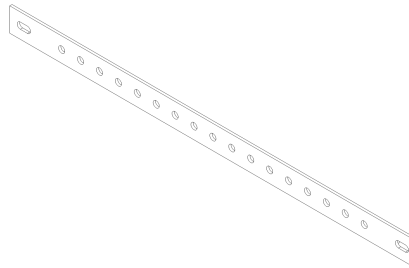
2x
SC-MAVRK.010



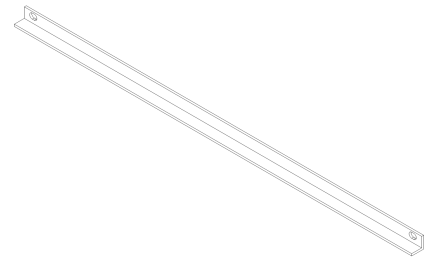
2x
SC-MAVRK.007



2x
SC-MAVRK.008

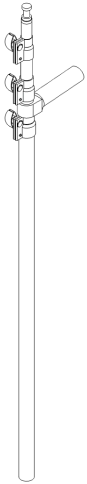


4x
SC-MAVRK.011

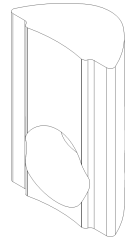


6x
SC-MAVRK.012

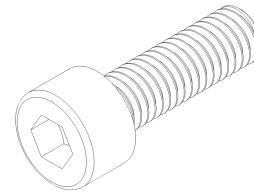
SC-MAVRK



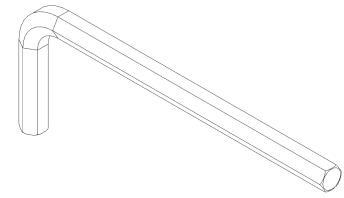
1x
SC-MAVRK.013



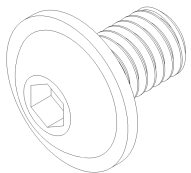
46x
SC-MAVRK.014



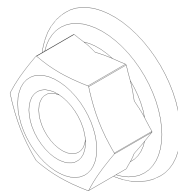
6x
SC-MAVRK.017



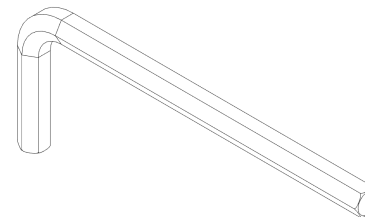
1x
SC-MAVRK.018
(3mm)



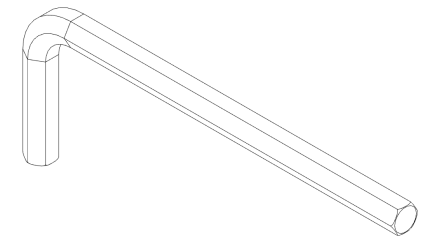
50x
SC-MAVRK.015
(SHORTER THAN SC-MAVRK.022)



10x
SC-MAVRK.016



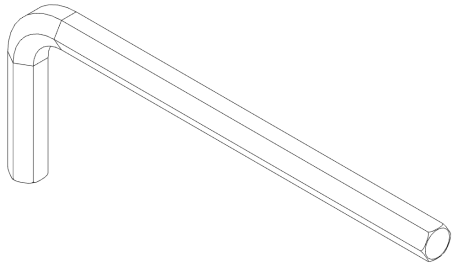
1x
SC-MAVRK.019
(5mm)



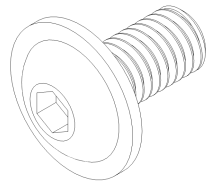
1x
SC-MAVRK.020
(6mm)

SC-MAVRK

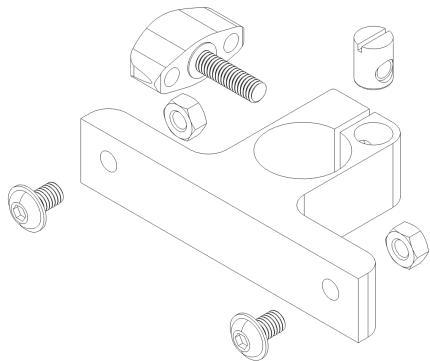
1



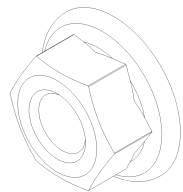
1x
SC-MAVRK.021
(8mm)



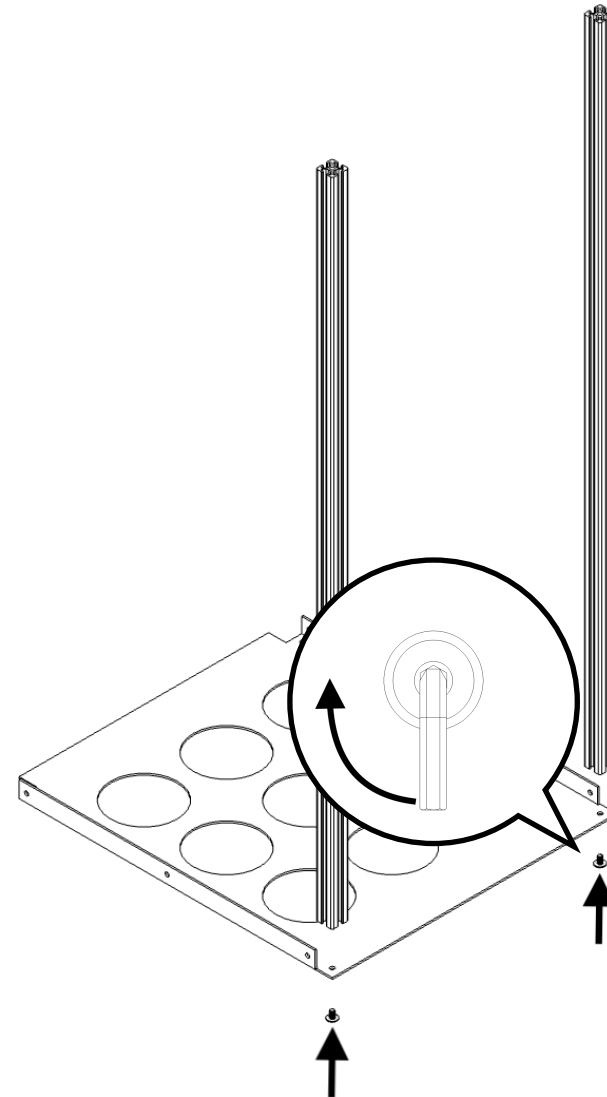
4x
SC-MAVRK.022
(LONGER THAN SC-MAVRK.015)



2x
SC-MAVRK.023

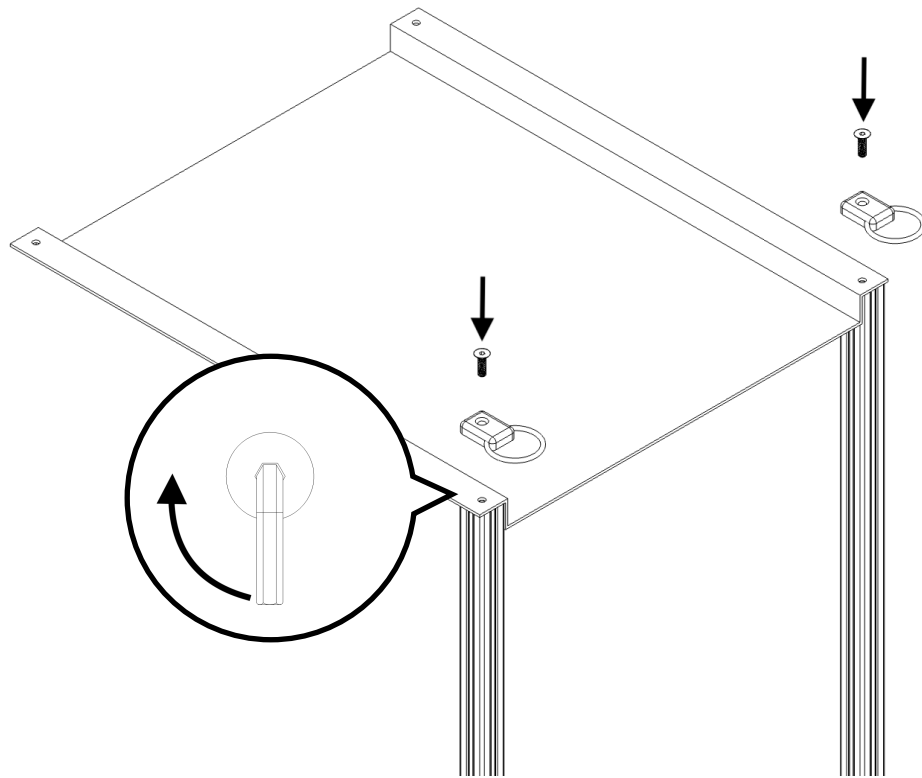


10x
SC-MAVRK.024
(FOR OPTIONAL ACCESSORIES)

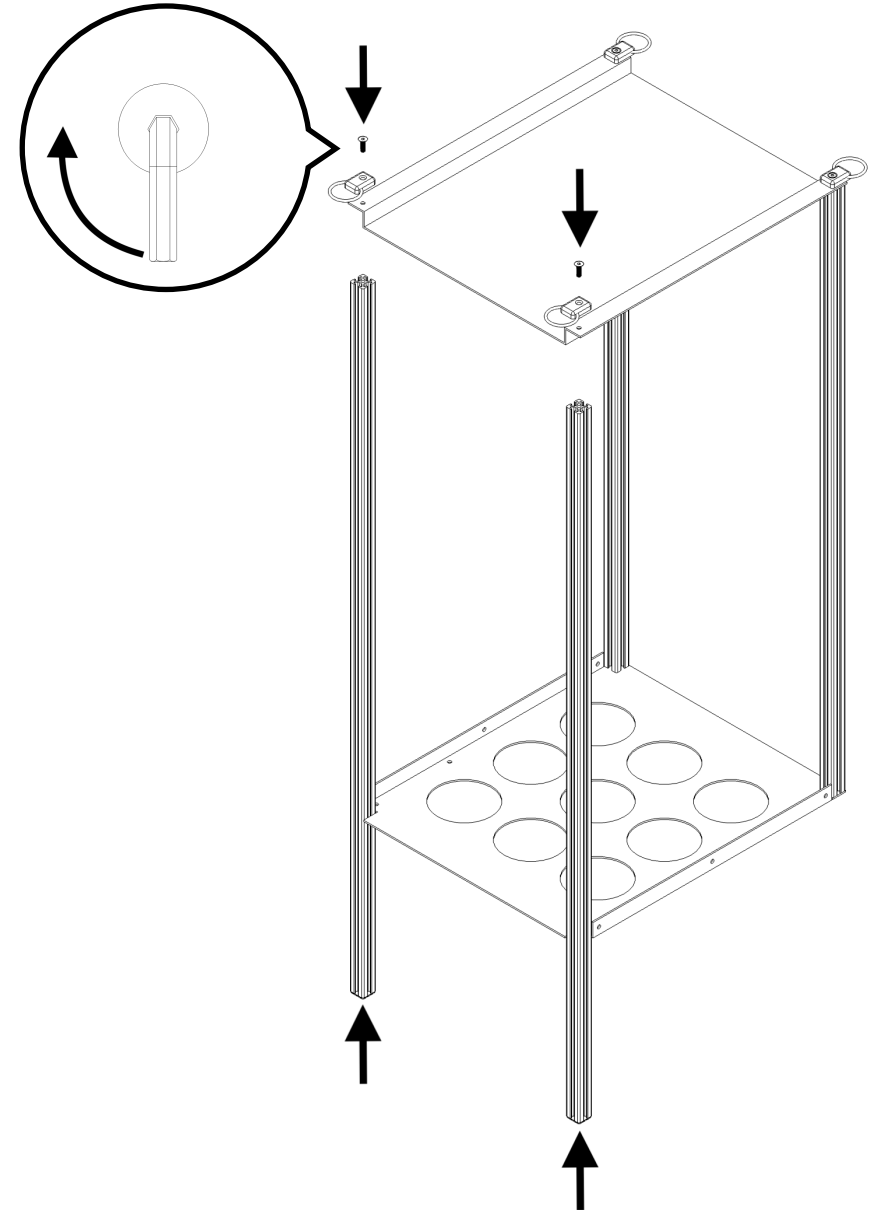


SC-MAVRK

2

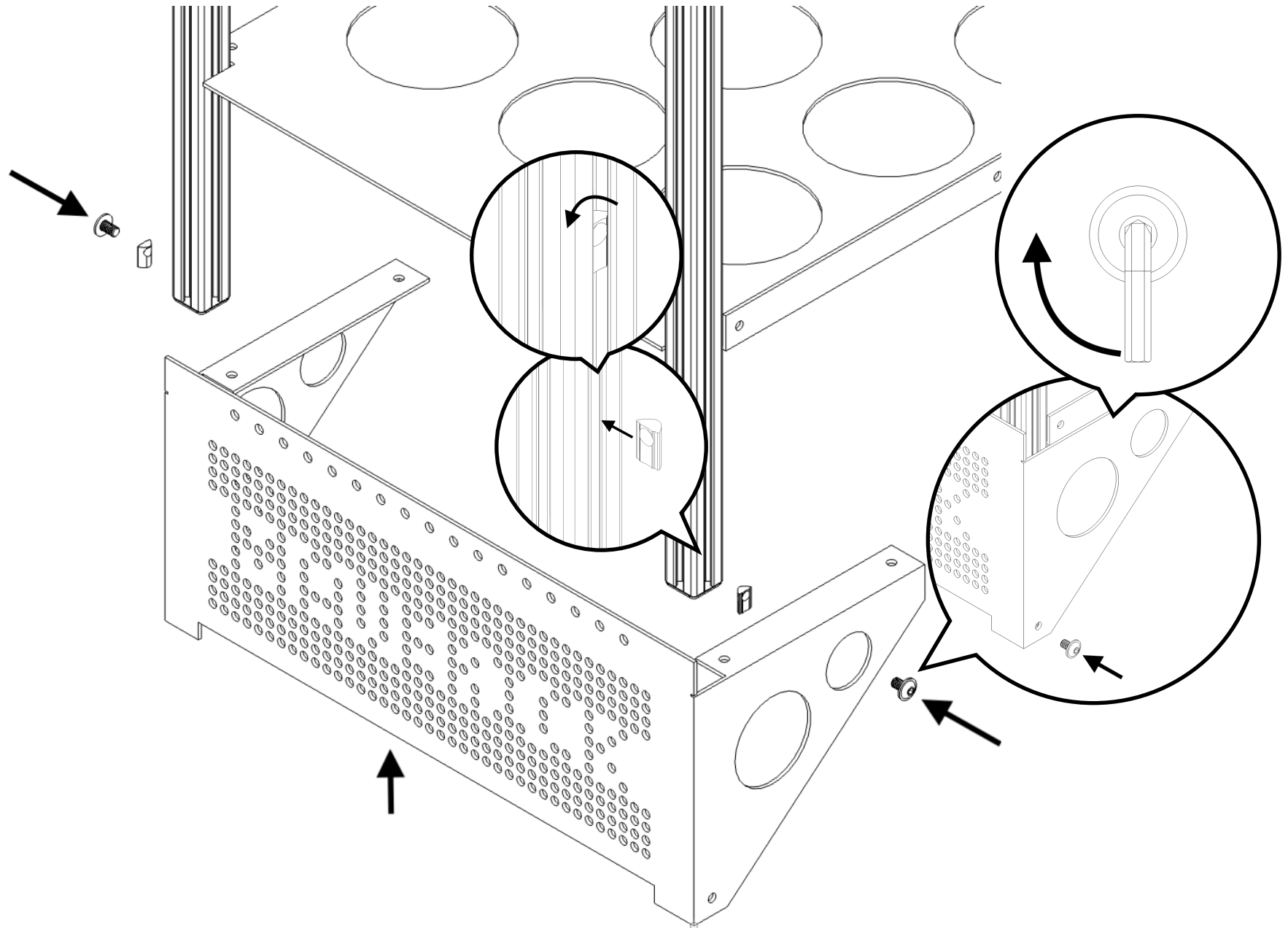


3



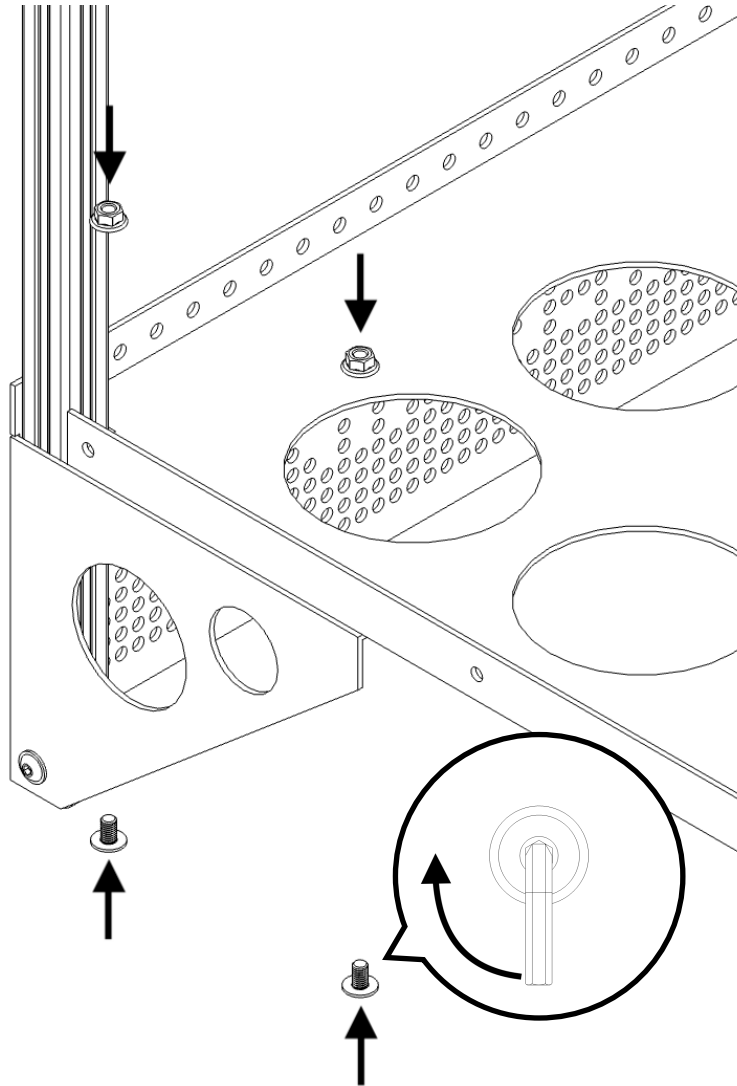
SC-MAVRK

4

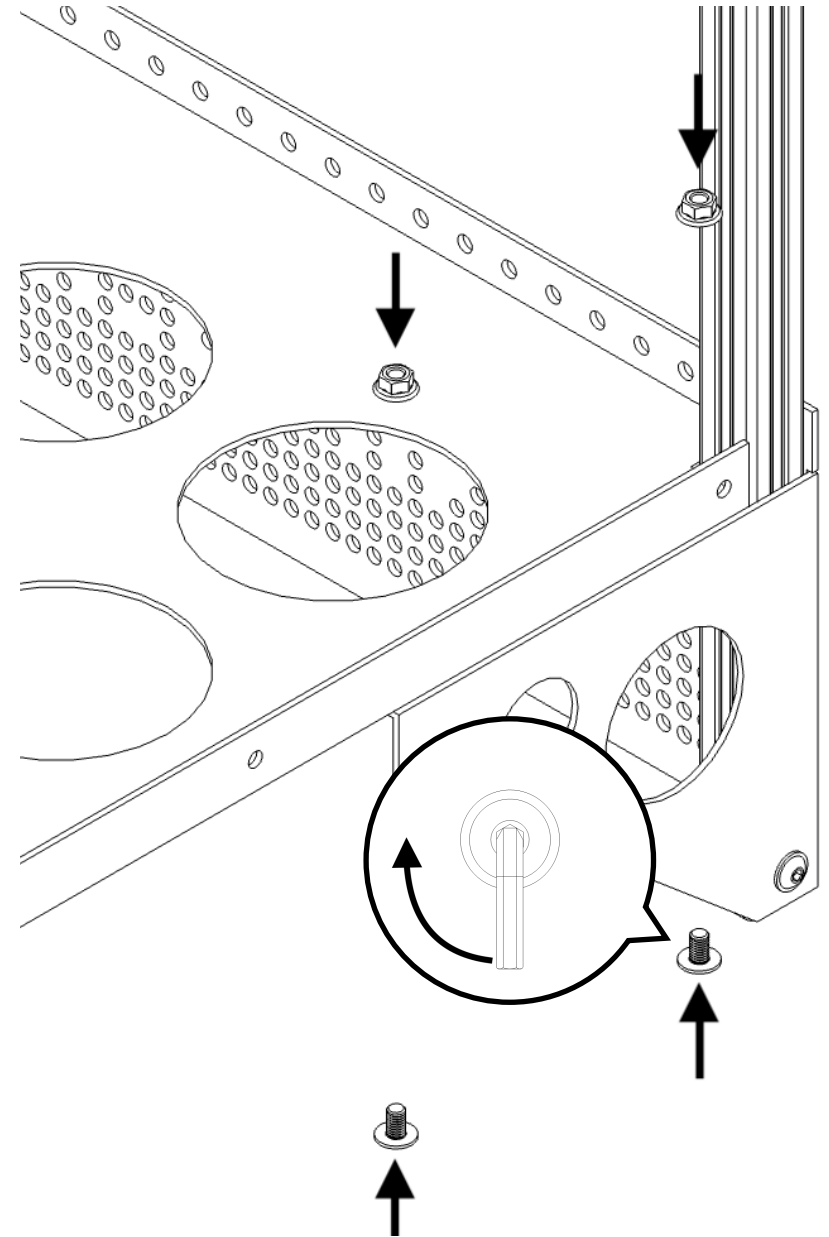


SC-MAVRK

5

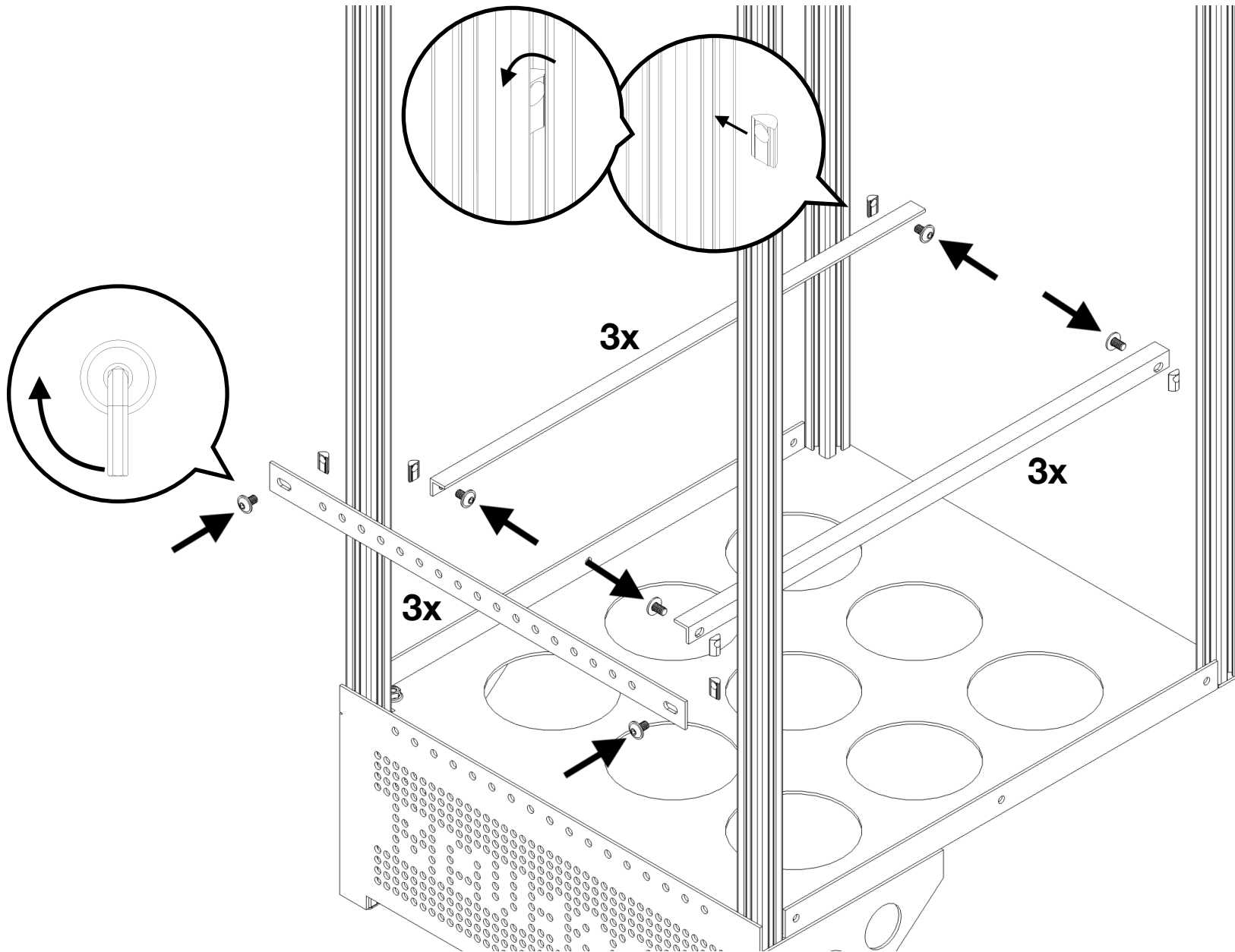


6



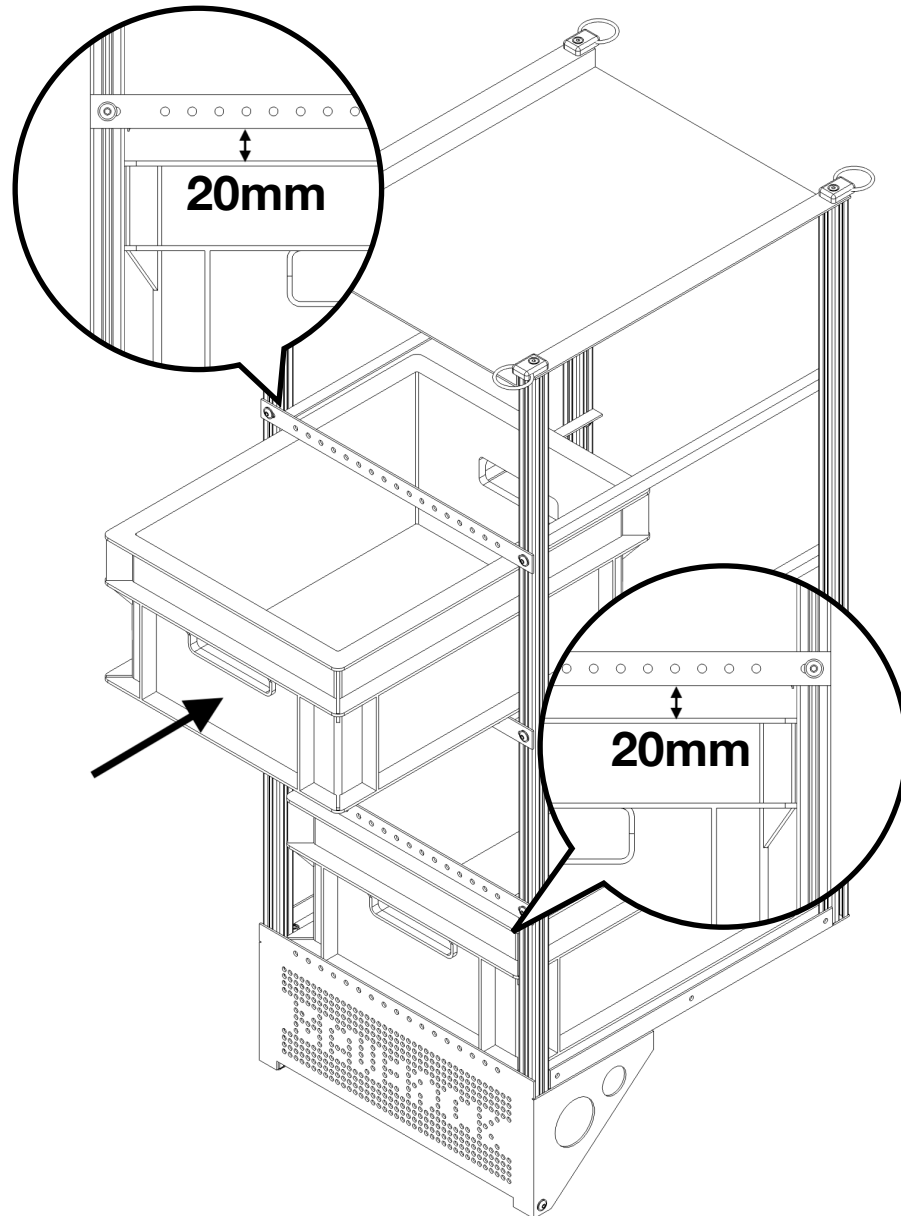
SC-MAVRK

7

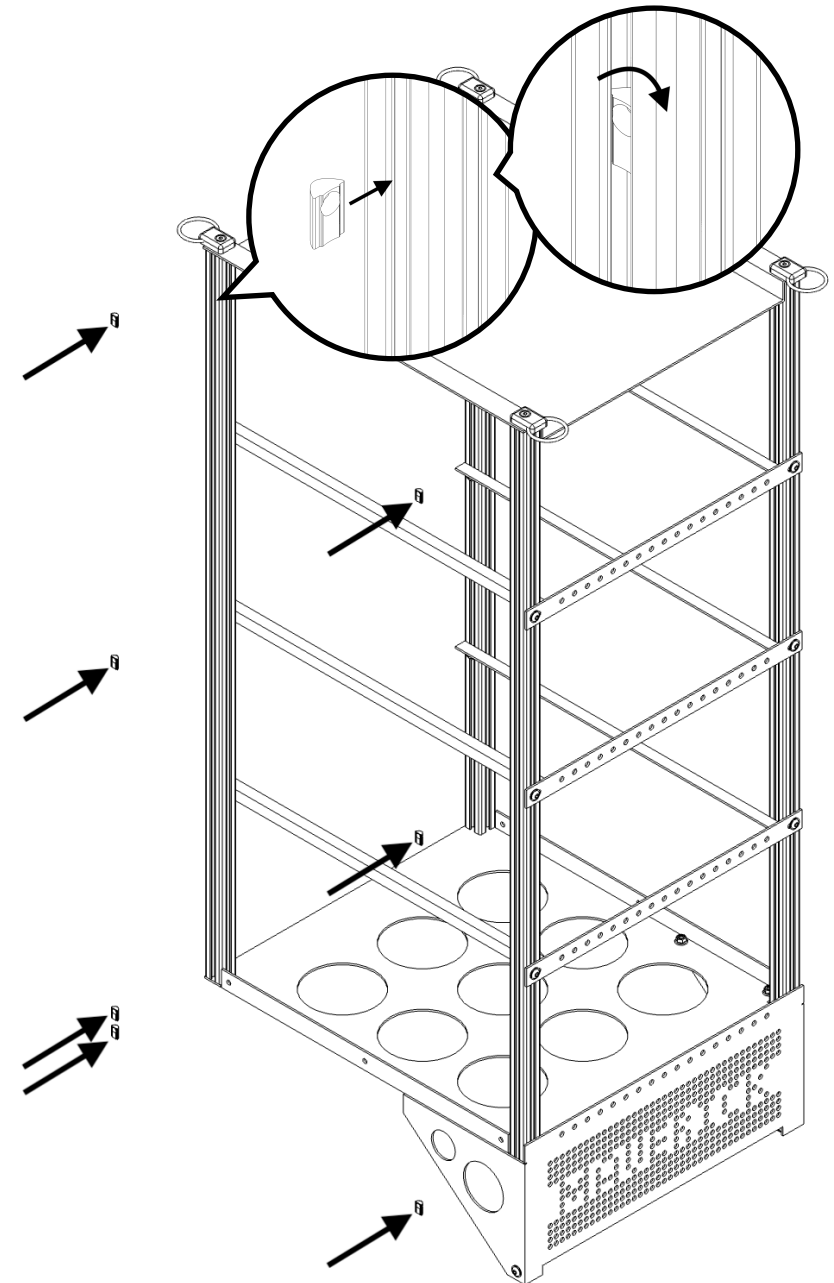


SC-MAVRK

8

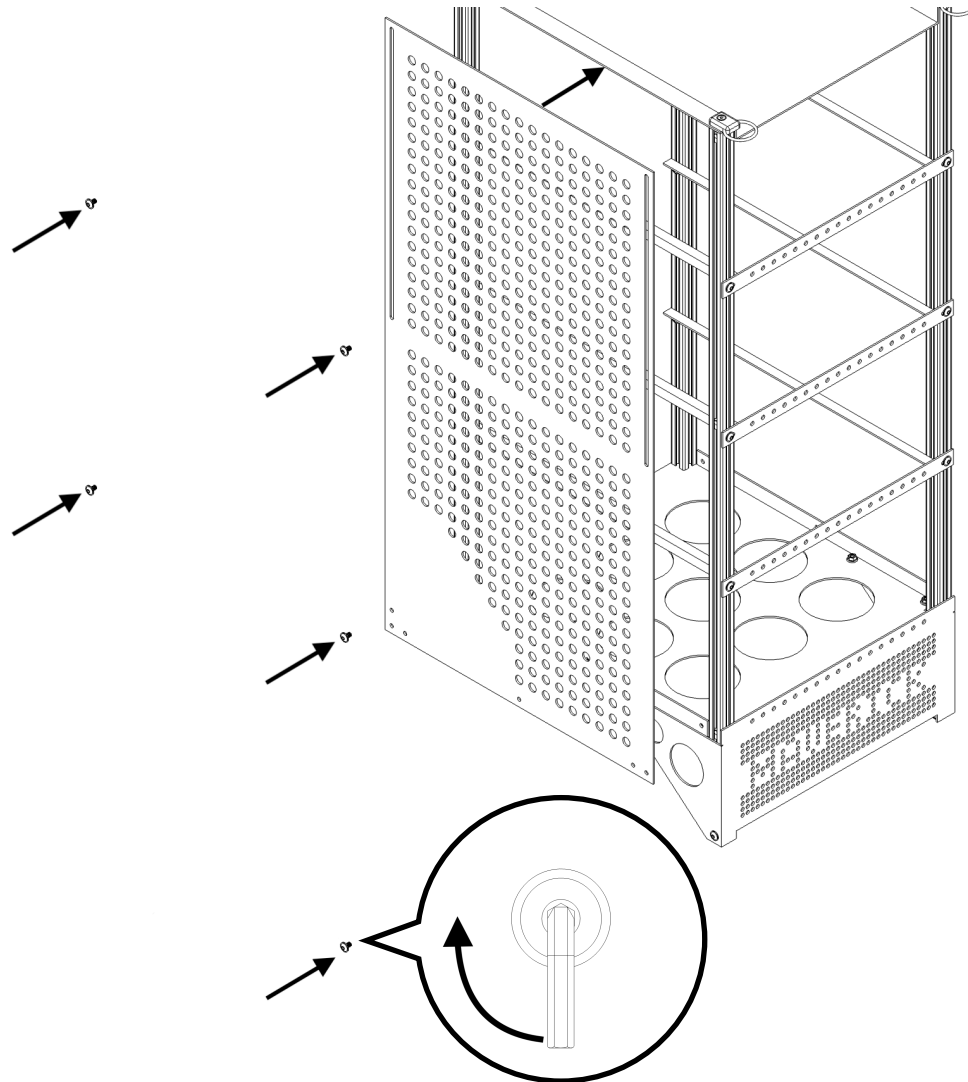


9

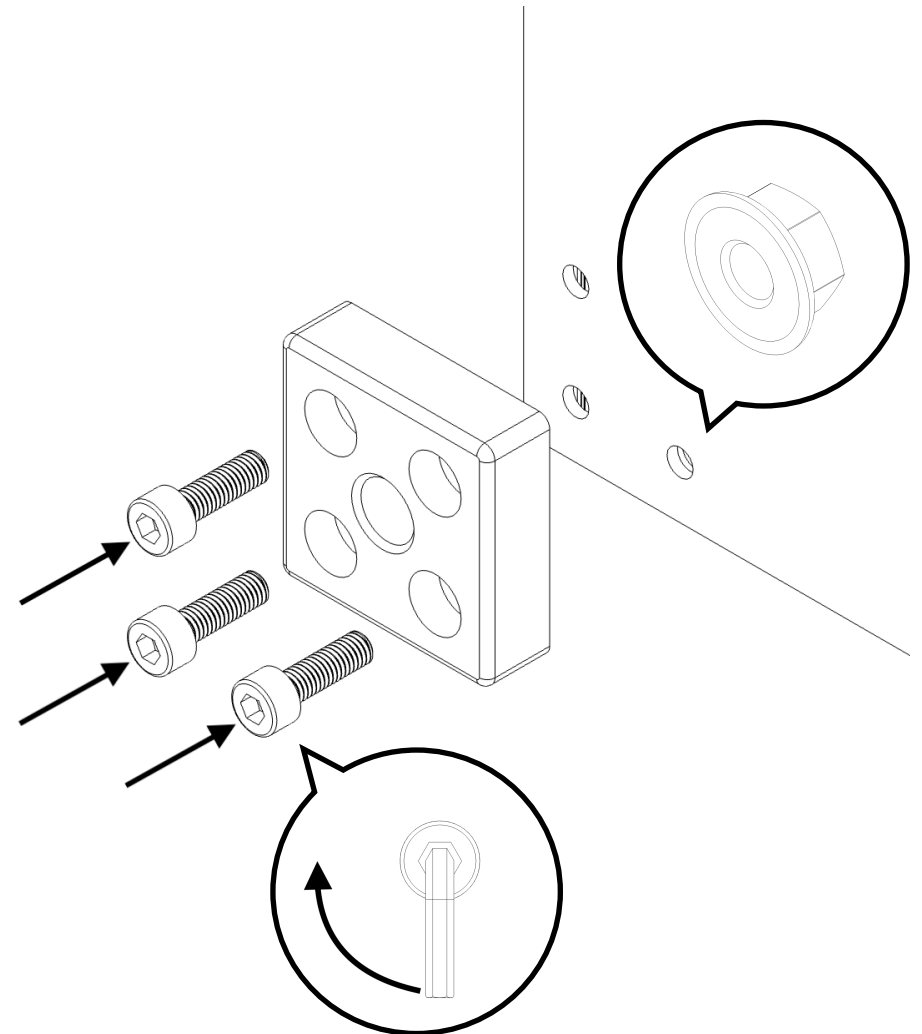


SC-MAVRK

10

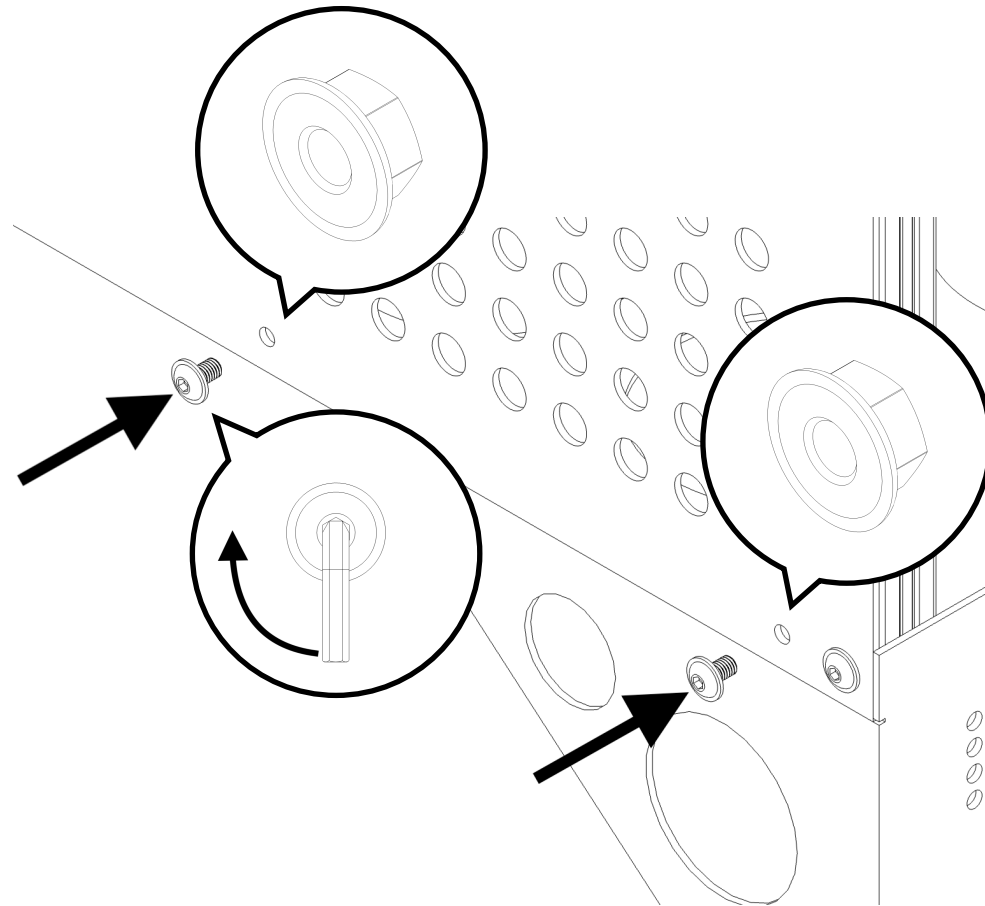


11

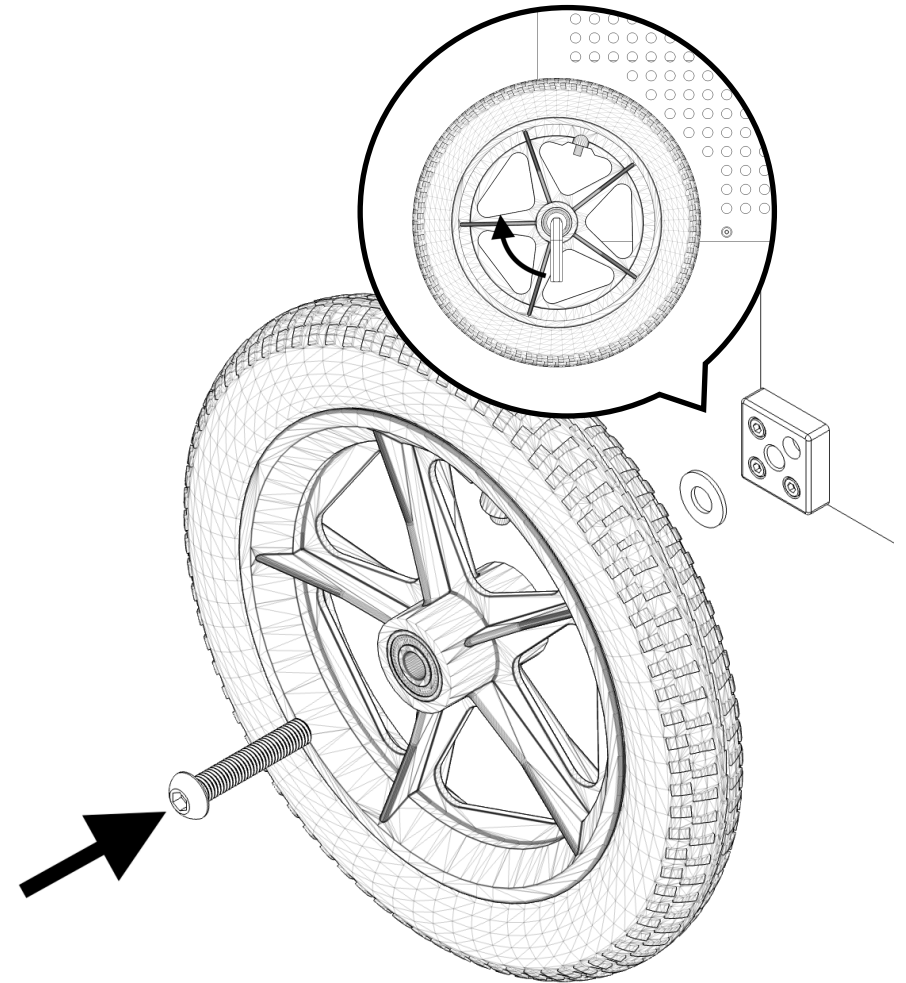


SC-MAVRK

12

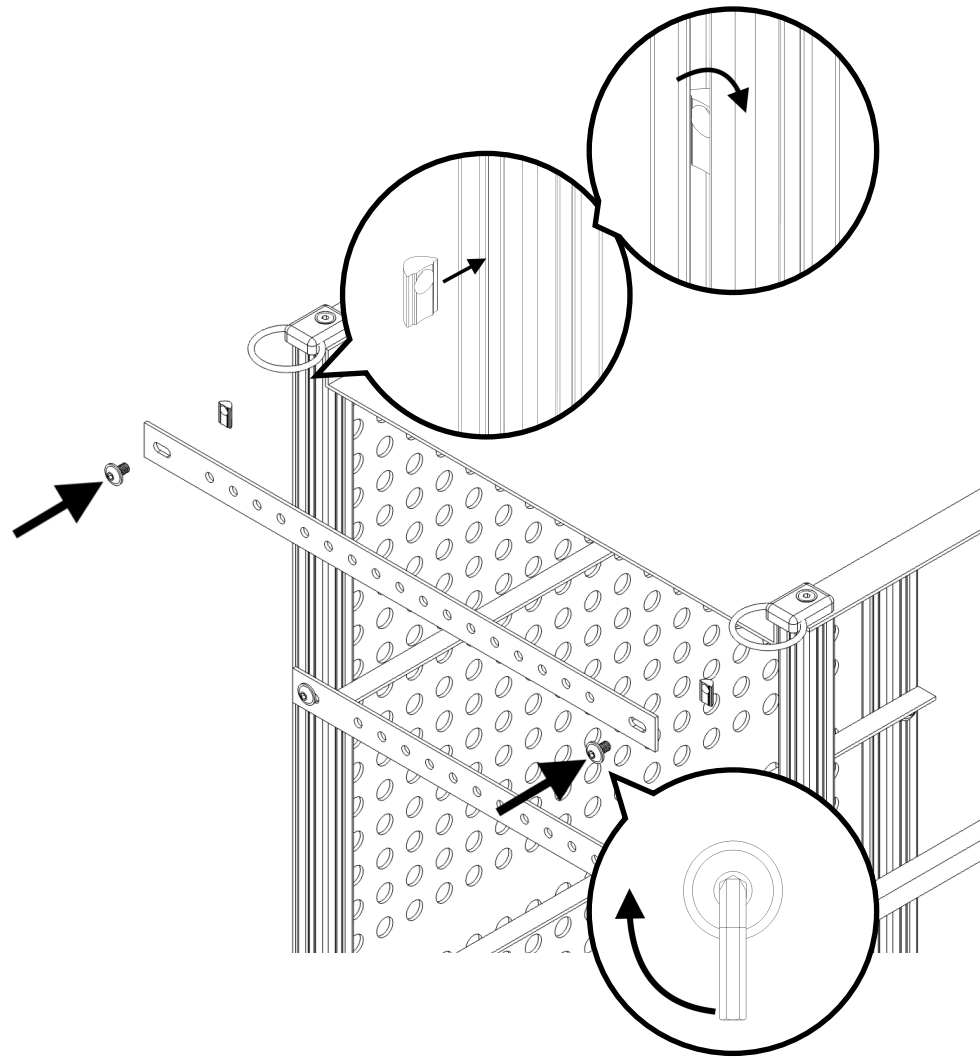


13

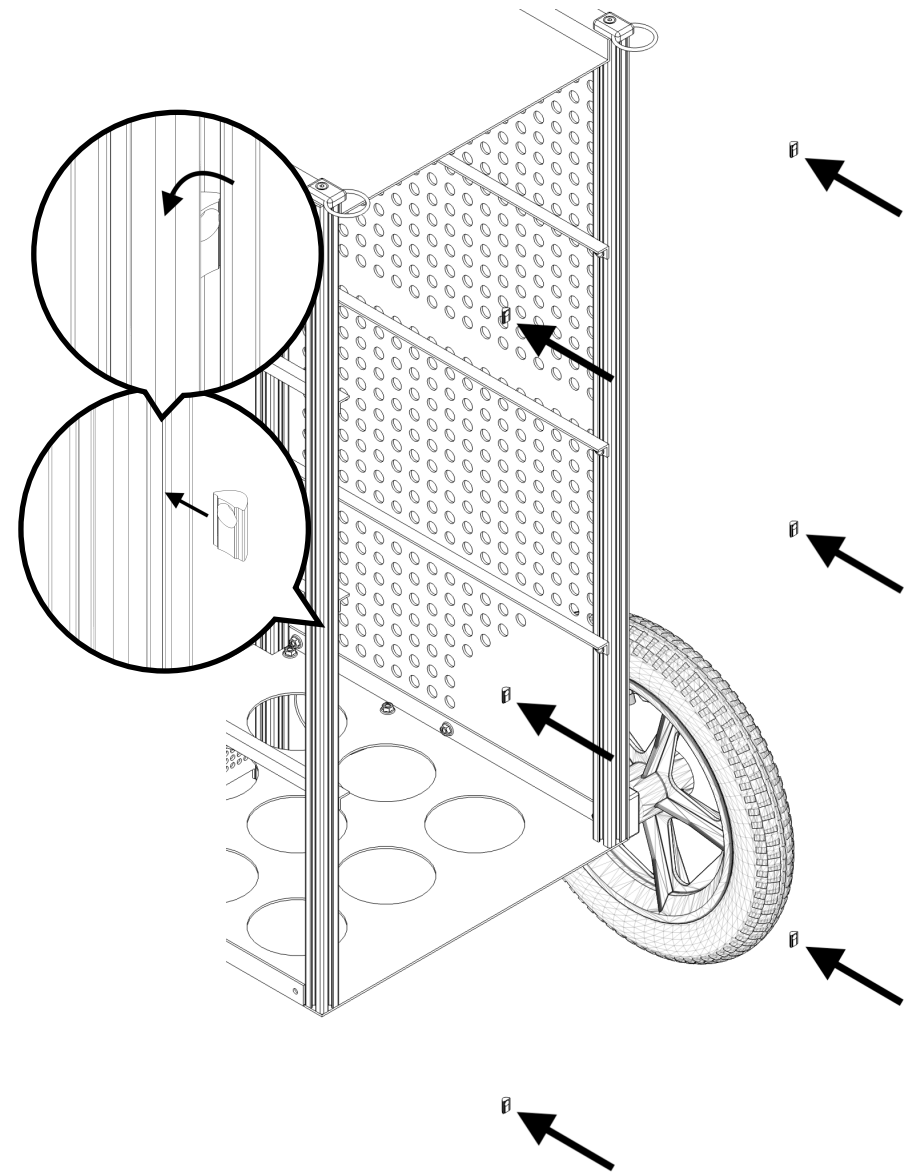


SC-MAVRK

14

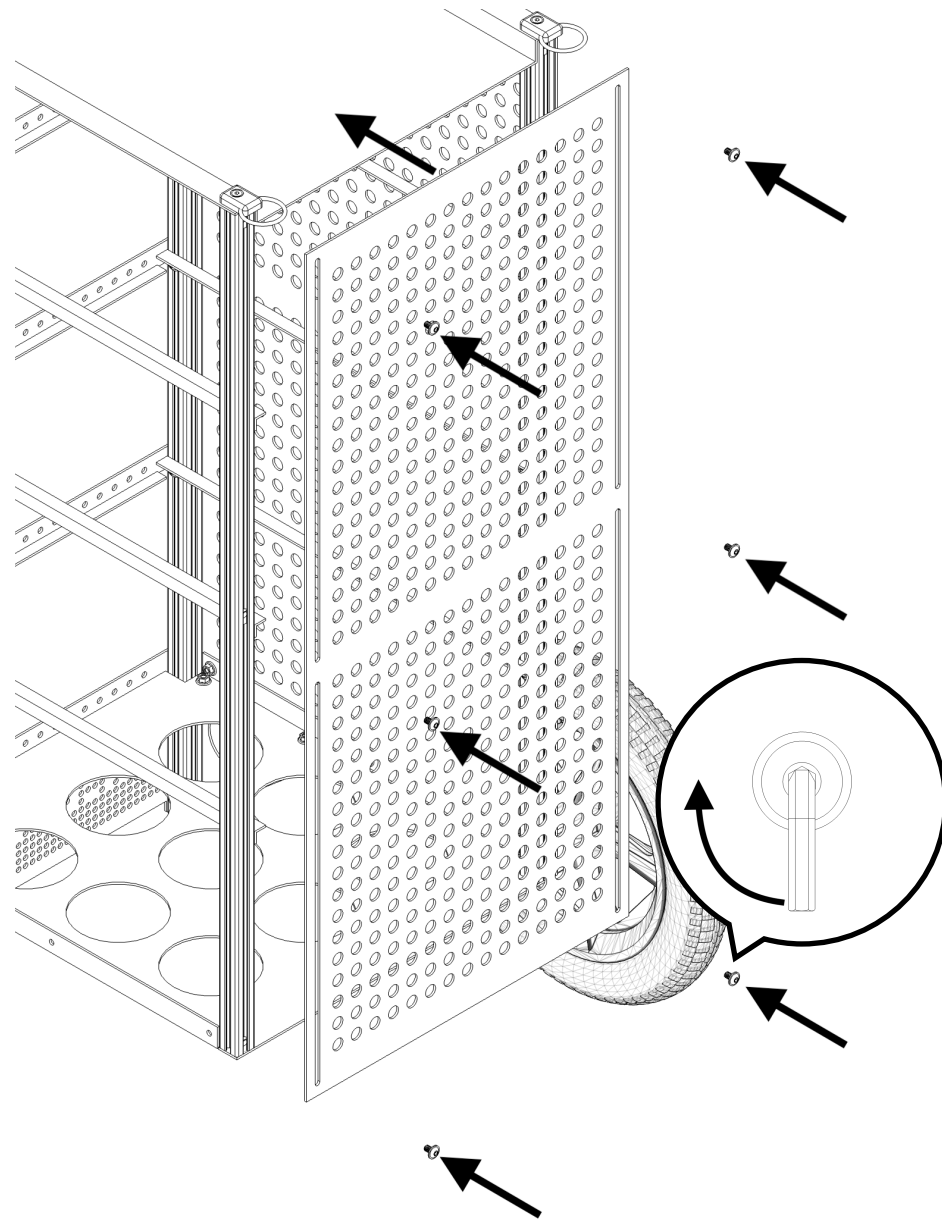


15

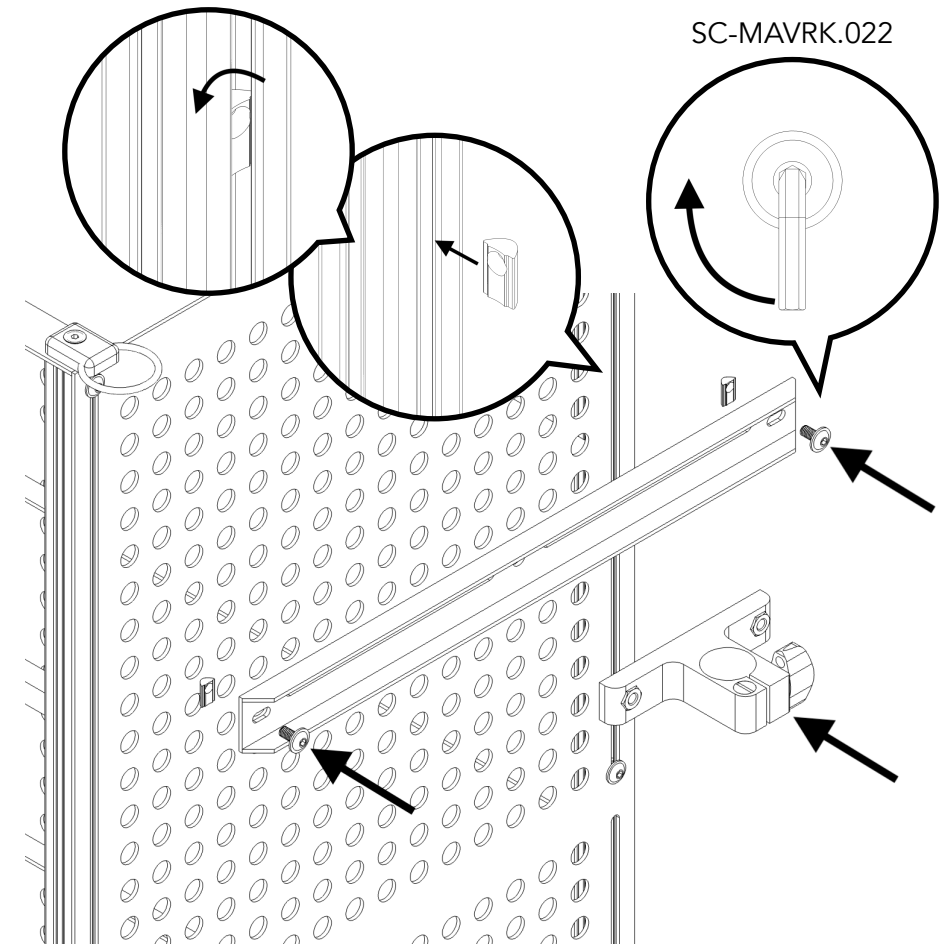


SC-MAVRK

16

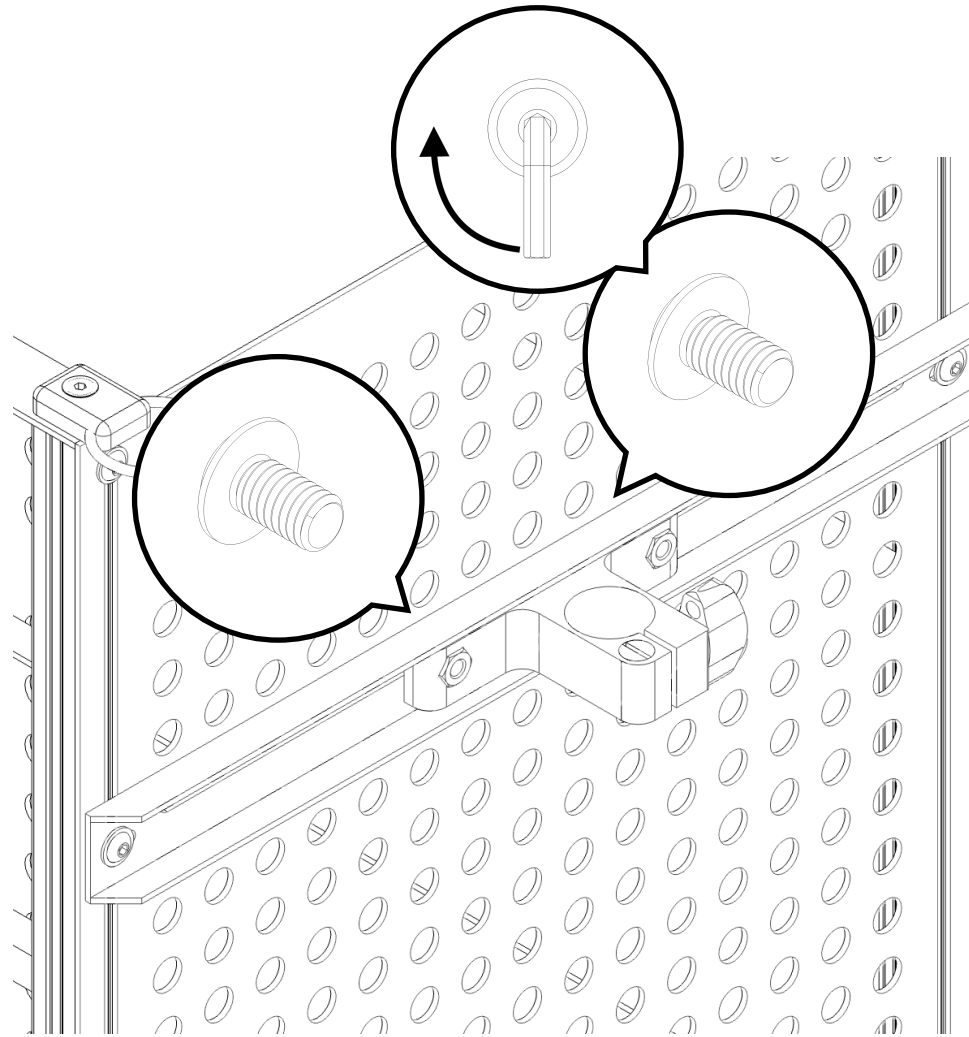


17

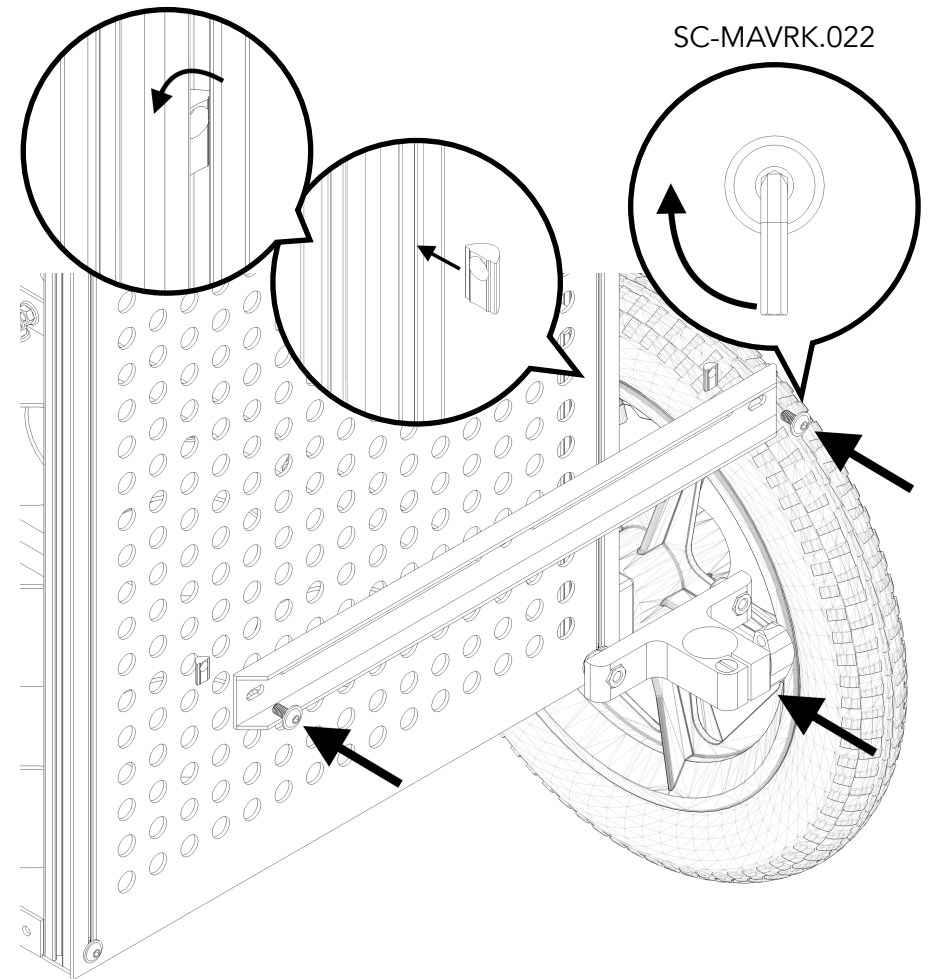


SC-MAVRK

18

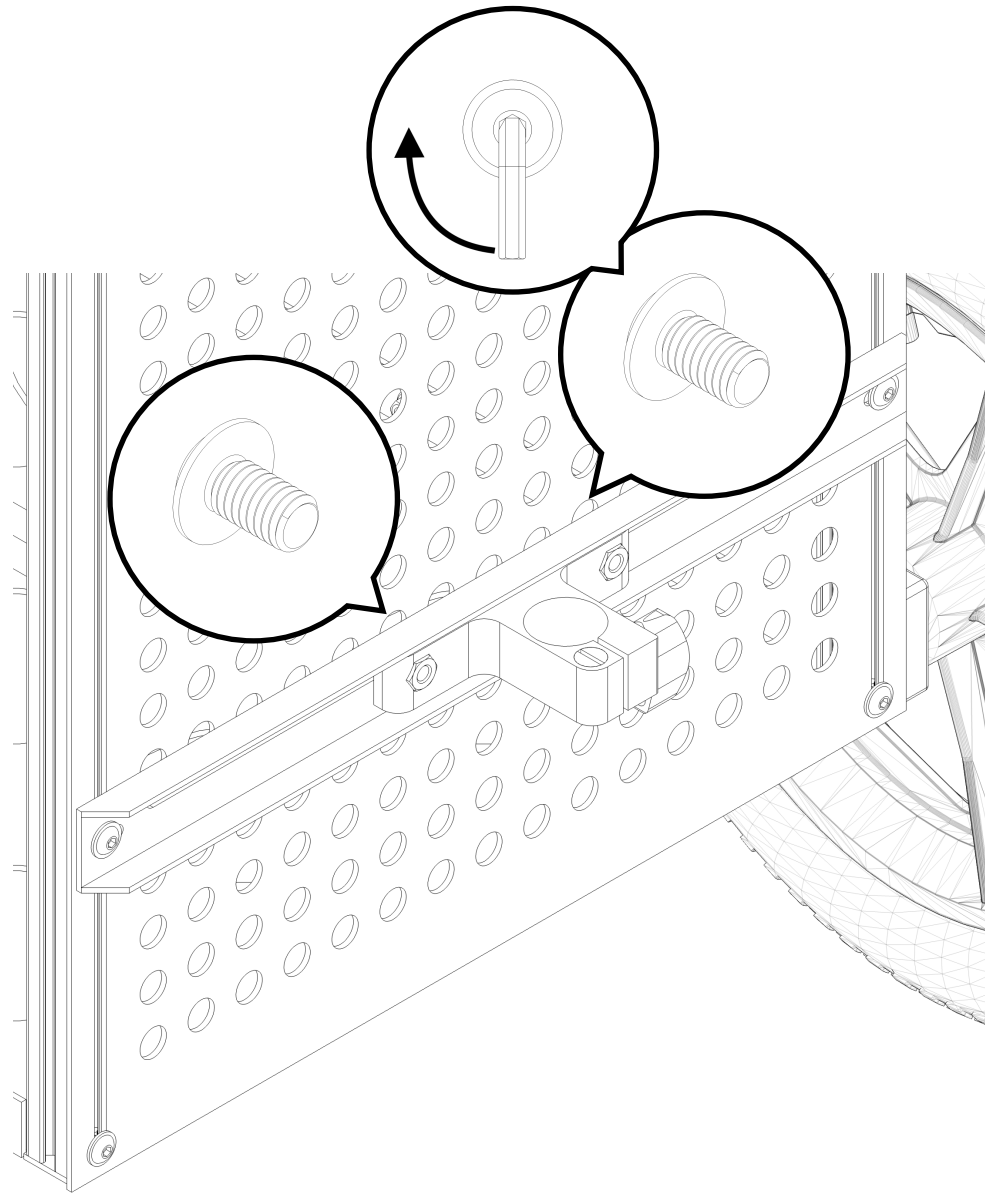


19

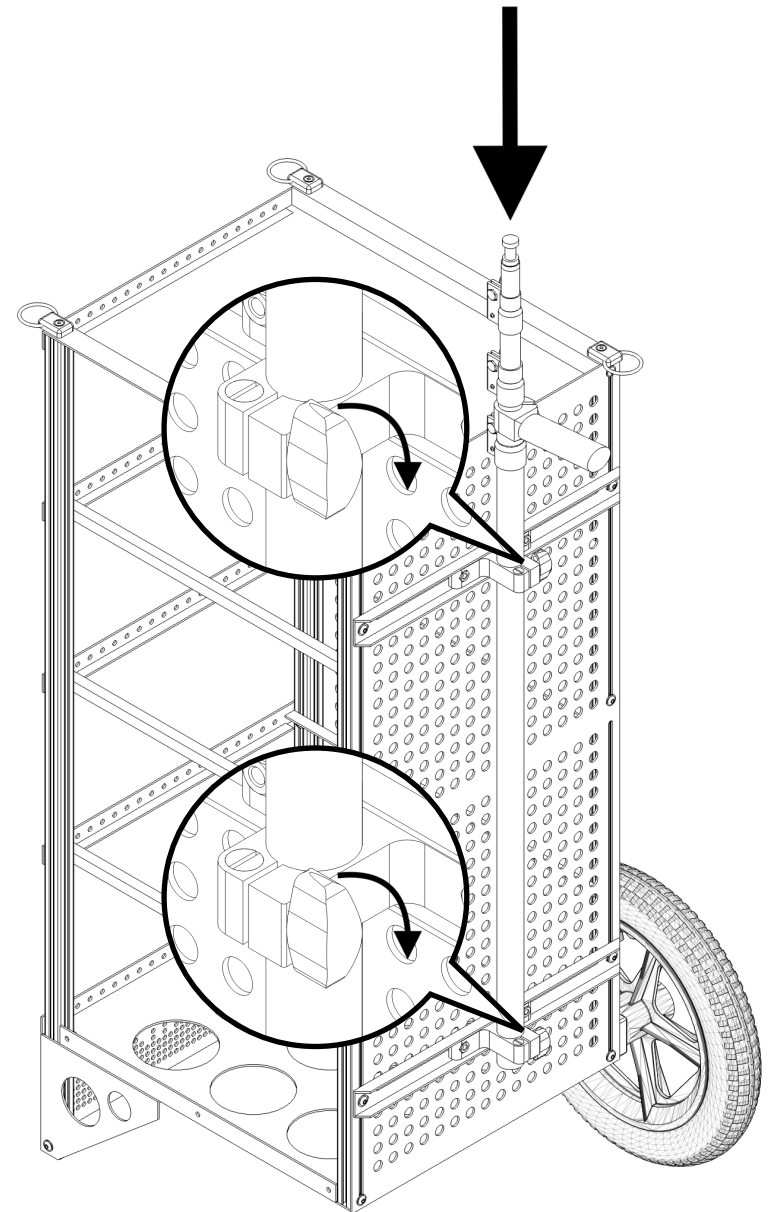


SC-MAVRK

20

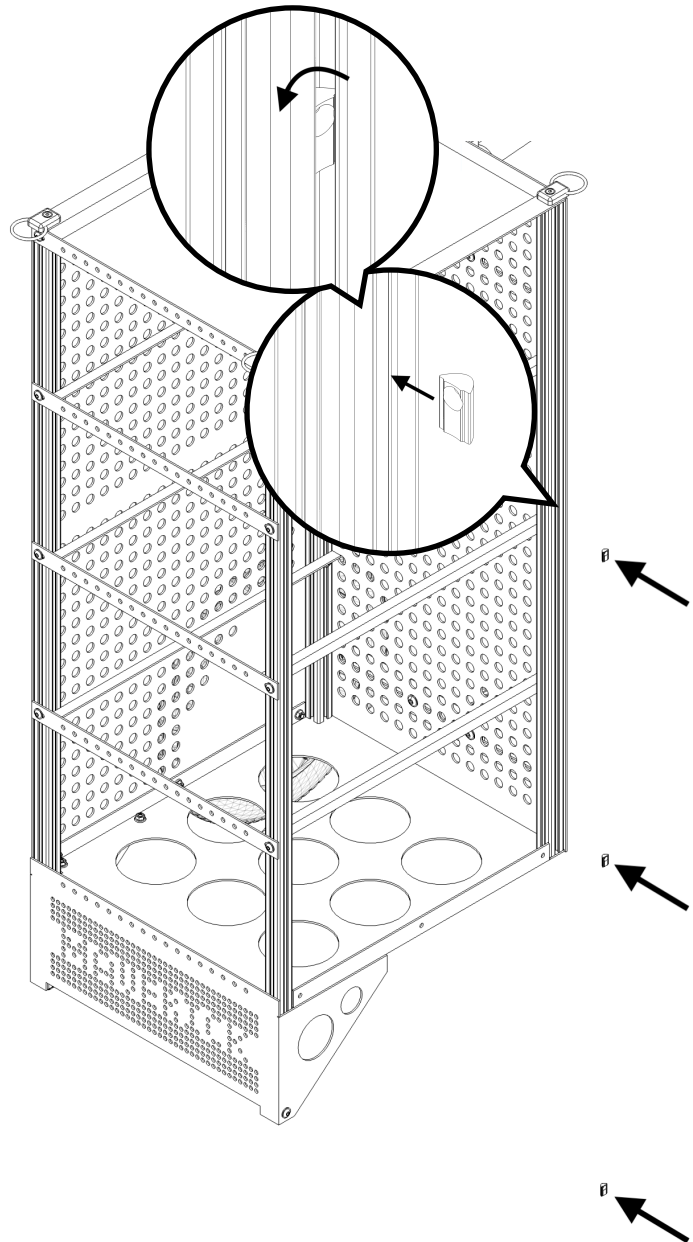


21

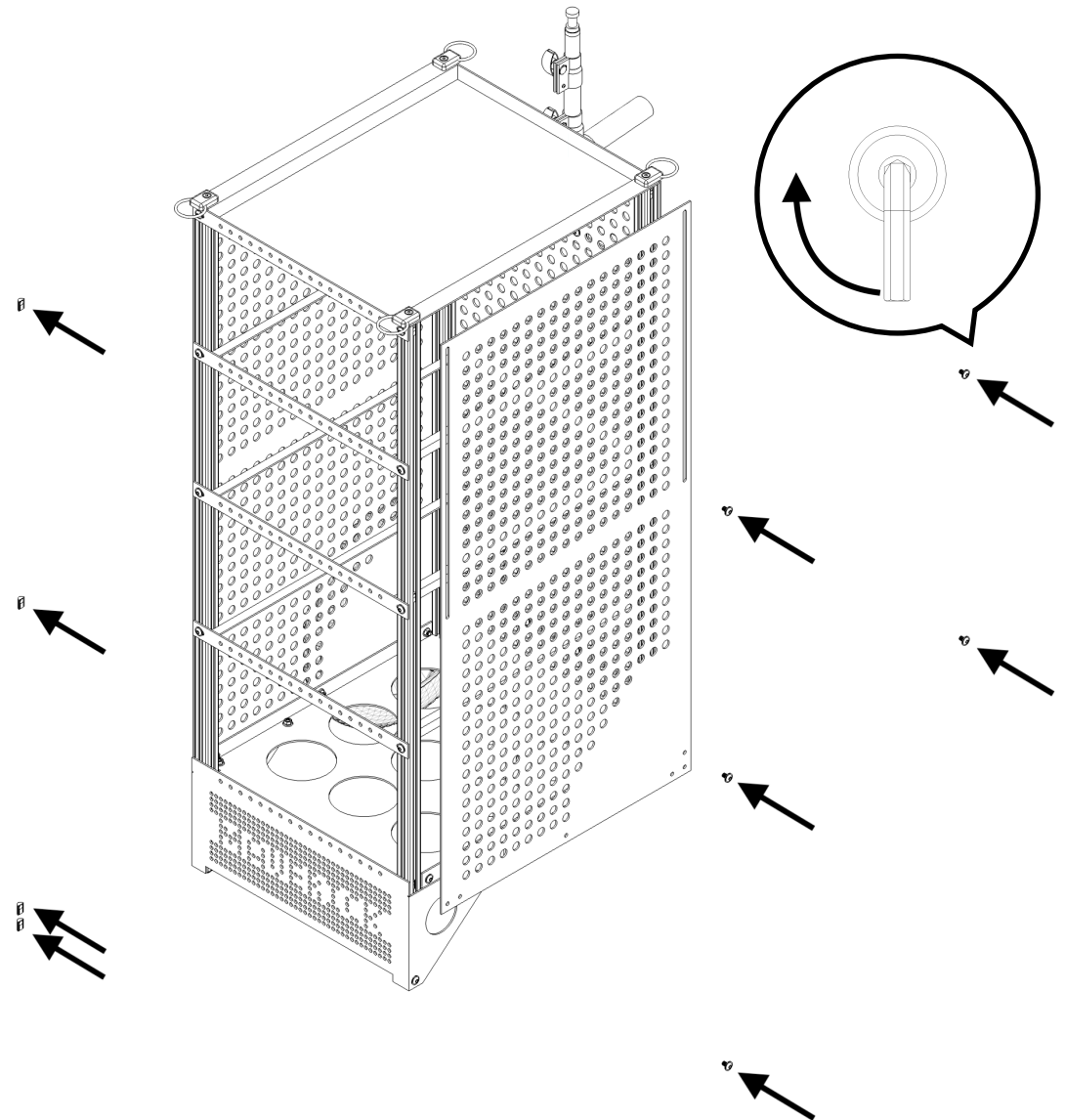


SC-MAVRK

22

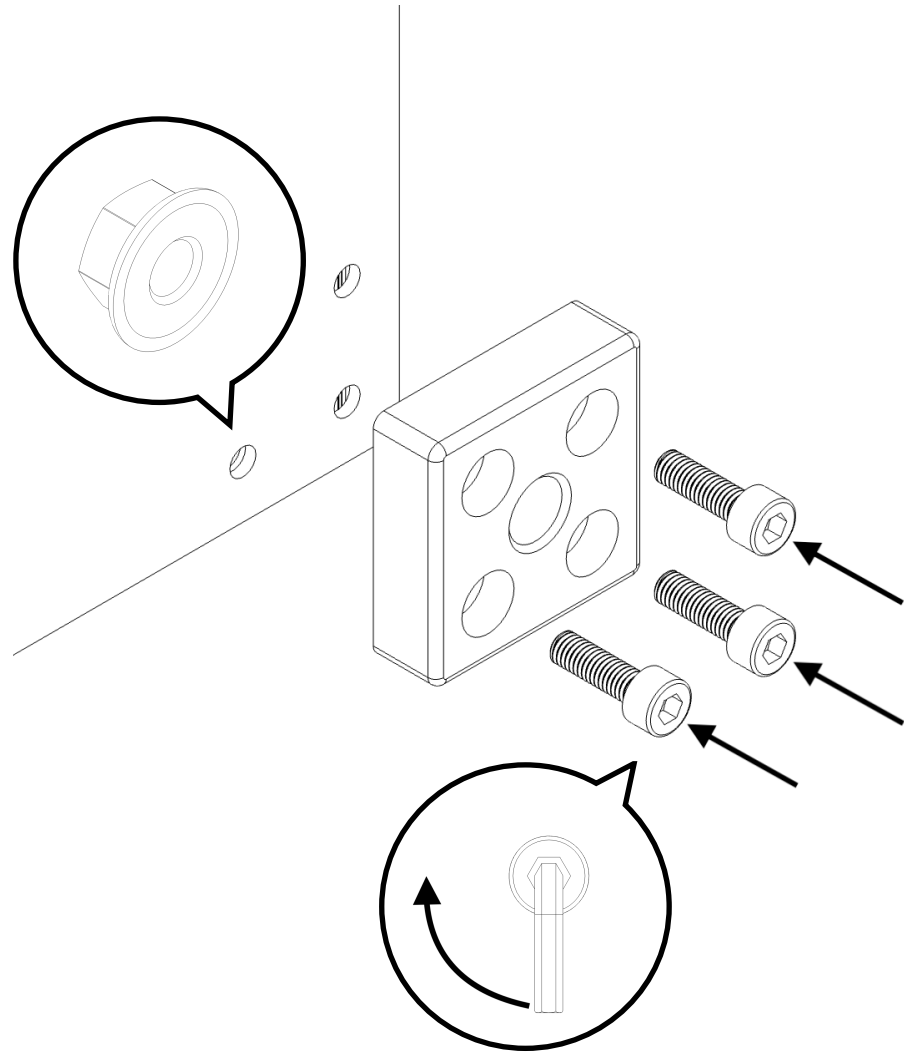


23

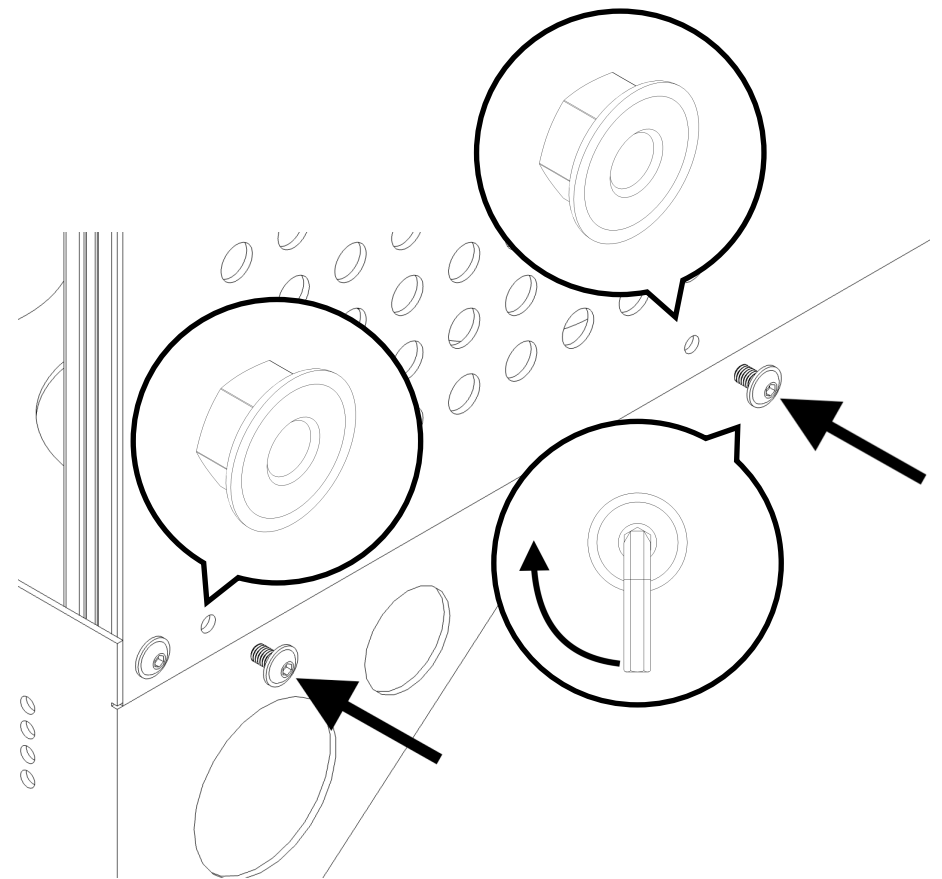


SC-MAVRK

24

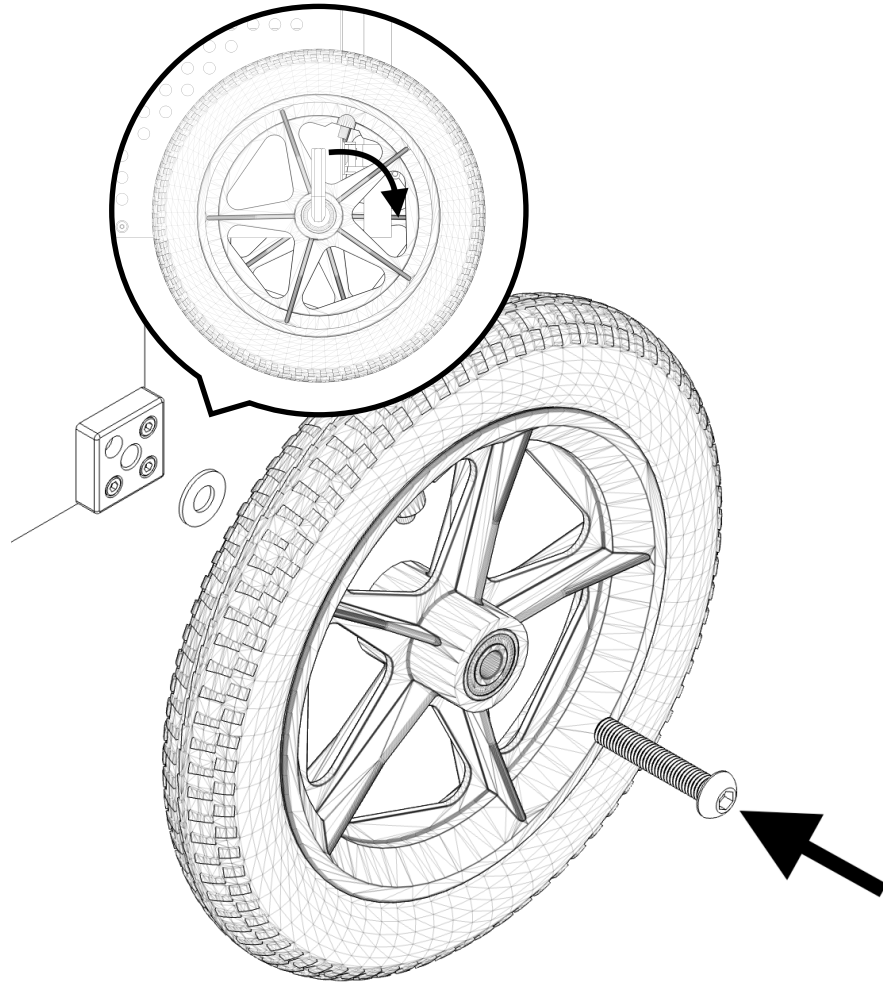


25



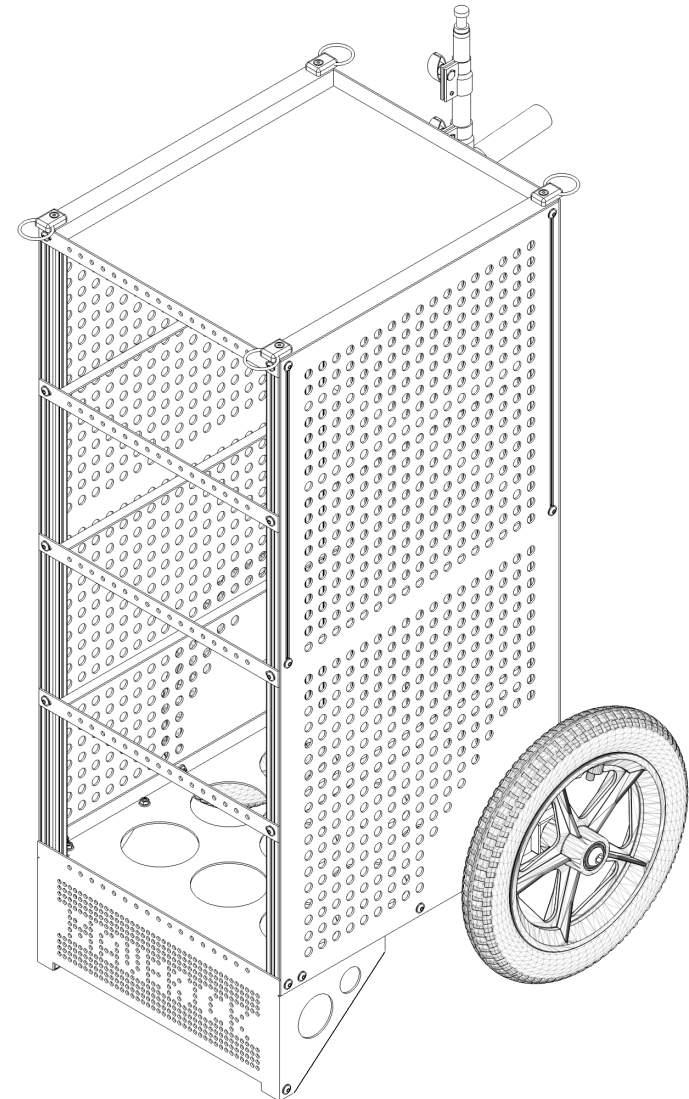
SC-MAVRK

26



CONGRATULATIONS

Congratulations you have successfully assembled your cart.



SC-MAVRK

SUPPORT

Please contact us if you have any comments, suggestions or questions regarding this cart at:

✉ support@soundcart.audio

📘 www.facebook.com/soundcart

📷 www.instagram.com/soundcart

Warranty

SOUNDCART.audio extends a limited one-year parts and labour warranty to all owners of this accessory from the date of original purchase. SOUNDCART.audio warrants this accessory to be free of defective material and workmanship for a period of one year from the original date of purchase and agrees to repair or replace such defective part(s) or the entire product at its option, provided it is returned to SOUNDCART.audio. Shipping and insurance costs to SOUNDCART.audio must be prepaid by the owner.

This warranty does not cover damage due to accident, abuse or misuse, careless handling, improper connection and/or installation, improper electrical contact or grounding. This warranty does not cover damage due to improper use or force being applied. This warranty will be null and void in the event of service or repair work not performed by SOUNDCART.audio or an authorised agent, failure to properly maintain this accessory or continued use after a defect becomes apparent. Proof of purchase date (copy of invoice) must be provided prior to any warranty service or repair work being performed.

This warranty is in lieu of any other warranty, expressed or implied, including warranties without limitation, products being merchantable at the time of purchase or suitable for a particular purpose. This warranty does not extend to, or include consequential damage. SOUNDCART.audio reserves the right to change the specifications of this accessory without any prior notification.

Legal Notices

This document is protected under copyright law. Owner's of this product may reproduce this publication for their own personal use. This document may not be reproduced or distributed, in whole or in part, for commercial purposes (which includes selling copies).

Great care has been taken in preparing this document for publication, however since product specifications are subject to change, this document may contain omissions and technical or typographical inaccuracies. The information provided in this manual only serves general information purposes, it may be subject to change at any time without prior notice to improve reliability, function, design or otherwise.

Governing Law

This agreement and limited warranty are governed by the laws of the United Kingdom

MAINTENANCE

To ensure your cart remains in tip top condition, it is recommended that you periodically check and tighten all the bolts (both visible and concealed using the supplied tools) as well as grease any casters and bearings.

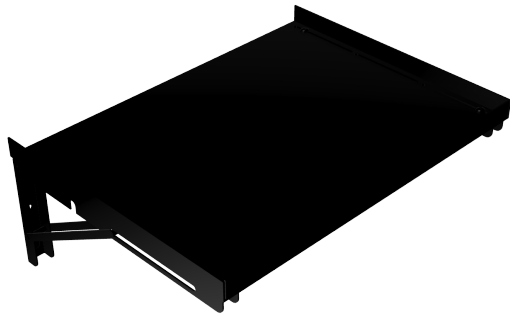
SPECIFICATIONS

MINIMUM HEIGHT:	1050mm	41.3 inches
MAXIMUM HEIGHT:	2485mm	97.7 inches
WIDTH:	505mm	19.7 inches
DEPTH:	535mm	18.7 inches
WEIGHT:	11.5kg	25.4 lbs
MAXIMUM RECOMMEND LOAD:	35kg	77 lbs
CONSTRUCTION MATERIAL:	ALUMINIUM	

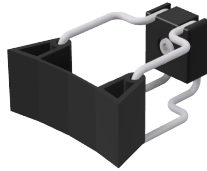
OPTIONAL ACCESSORIES

To customise your cart, an extensive range of optional accessories are available for non-factory installation (visit <https://store.soundcart.audio> to see the full range). These include;

SC-MAVRK



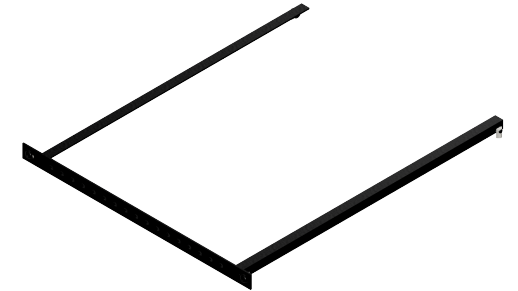
SC-SSHLF
SIDE SHELF



SC-BOOMC
BOOM CLAMP



SC-CUPH
CUP HOLDER



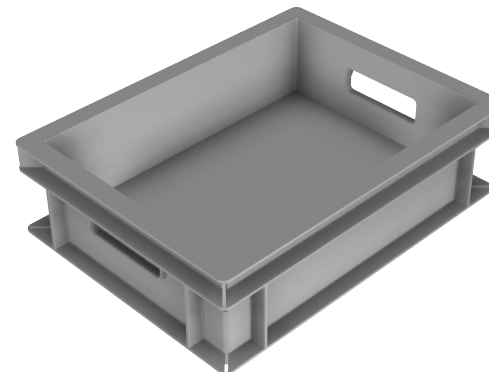
SC-MAVSHLF
MAVERICK SHELF



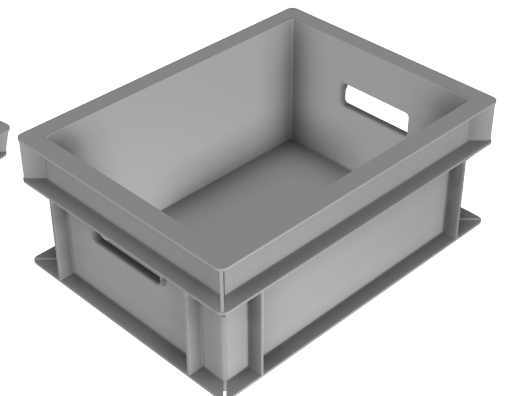
SC-SP.BUNGEE
BUNGEE CHORD



SC-MAVPS
MAVERICK PANEL SET



SC-EC4312
EURO CONTAINER
400x300x120MM



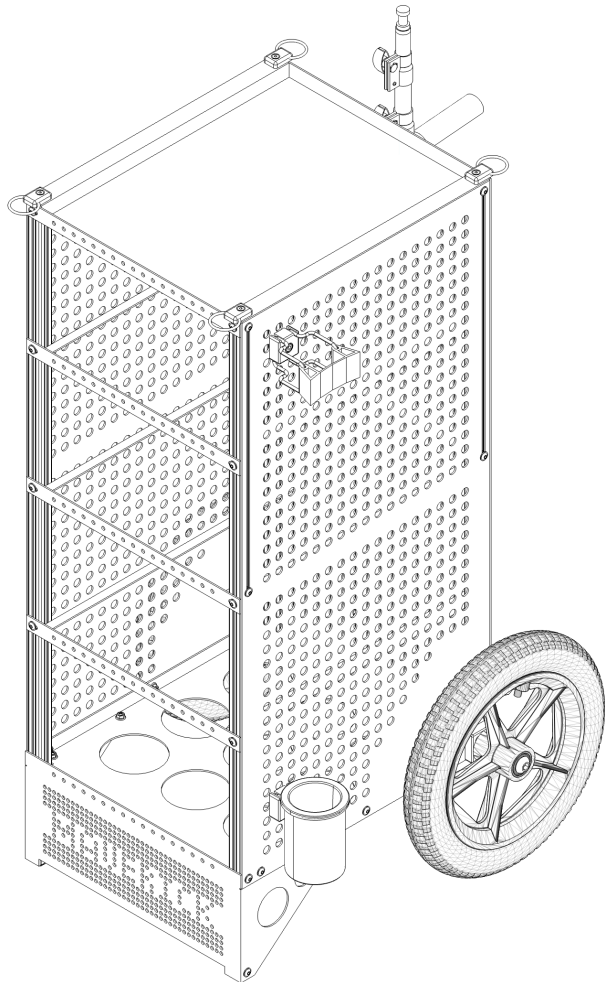
SC-EC4317
EURO CONTAINER
400x300x170MM

SC-MAVRK

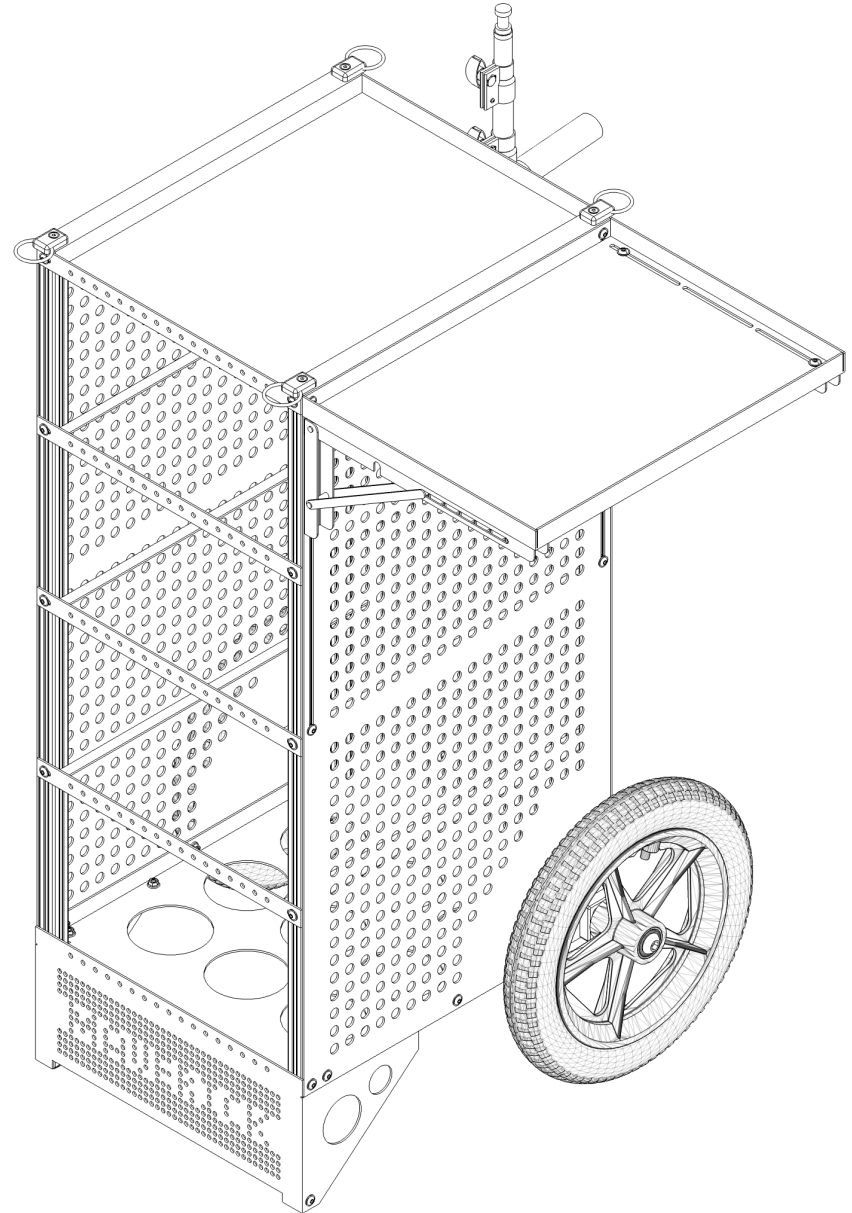
WORK YOUR WAY

The modular design of this cart means it can fit *your* workflow. Here are some ideas;

Includes; SC-BOOMC



Includes; SC-SSHLF



SC-MAVRK

STORAGE CONTAINERS

Having built your Maverick cart, simply add your choice of storage container. These should be Euro Containers measuring 300x400mm (11.7x15.7 inches) in whatever height you require. Suppliers occasionally quote the imperial measurements as 12x16 inches, so double check with the supplier for exact measurements.

Euro Containers come in a variety of heights, colours and configurations. They are available with or without lids, solid or vented, as well as with or without handles etc.

A quick google search "Euro Container" or "KTL Straight Wall Totes" will often reveal a local stockist. Meanwhile here are some suggestions (with links).

Note:

We regularly update our list of stockists of Euro Containers on our website. If you find a new stockist, please send us their details to share with other Maverick owners.

Africa

www.takealot.com

Asia

www.utzgroup.com

North America

www.grainger.com

www.grainger.ca

www.ssitote.com

www.alliedelec.com

www.globalindustrial.com

www.utzgroup.com

Europe

www.auer-packaging.com

www.totebox.co.uk

www.ssi-schaefer.com

www.plastor.co.uk

www.schoellerallibert.com

www.solentplastics.co.uk

www.3jc.co.uk

www.goplasticpallets.com

www.bitto.com

Oceania

www.bondline.com.au

www.rodmanplastics.com

au.rs-online.com

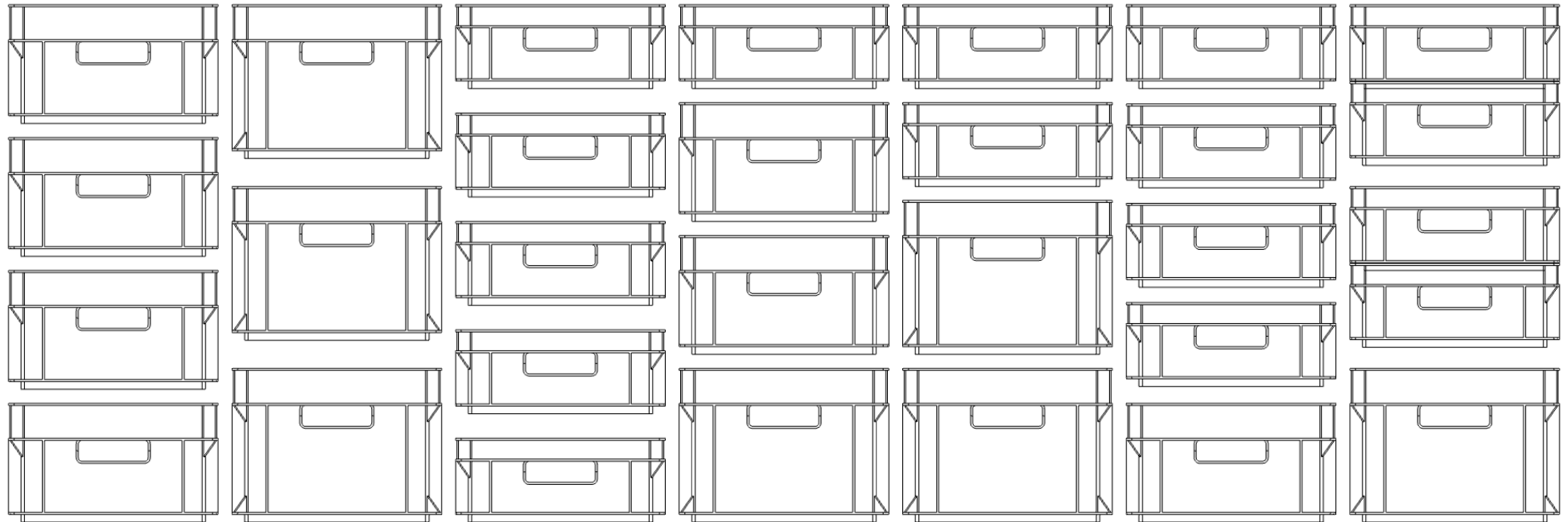
nz.rs-online.com

SC-MAVRK

POPULAR COMBINATIONS

The Maverick can accommodate different combinations of storage containers. As standard the Maverick enables four shelves, however additional shelves (SC-MAVSHLF) can be purchased if you want more.

Popular combinations include;



170mm

220mm

120mm

120mm

120mm

120mm

120mm

170mm

220mm

120mm

170mm

120mm

120mm

120mm

170mm

220mm

120mm

170mm

220mm

120mm

120mm

170mm

220mm

120mm

220mm

220mm

120mm

120mm

120mm

170mm

220mm