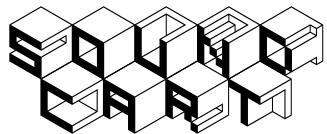
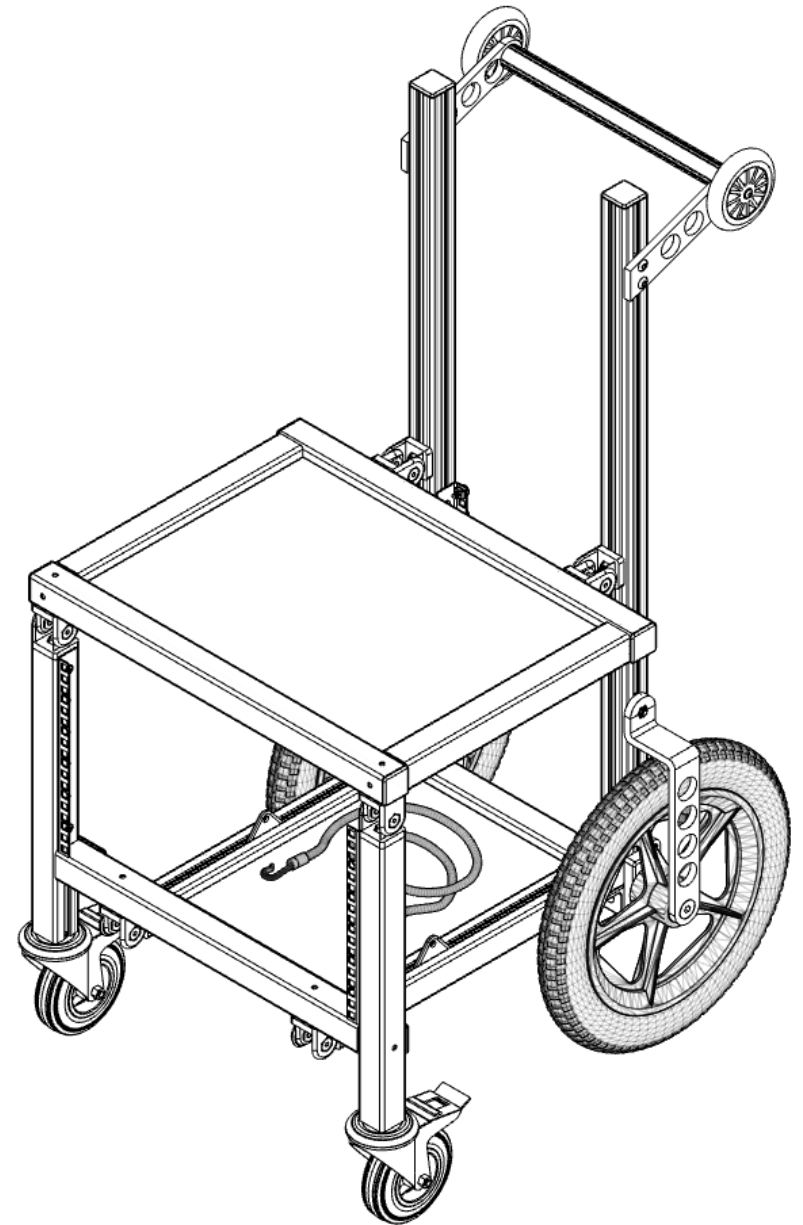


SC-PSC

---

# Production Sound Cart



# SC-PSC

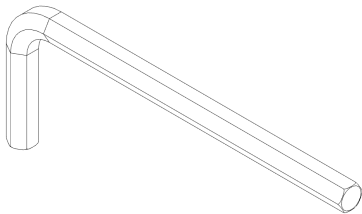
## THANK YOU

Thank you for purchasing this cart. To assemble it, please follow the instructions found within this guide.

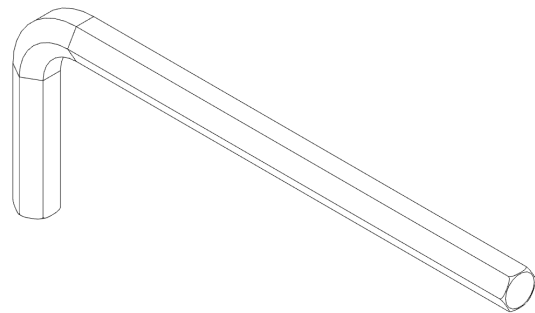
## YOU WILL NEED

You will need the following tools to install this accessory:

1x 5mm HEX key / Allen key \*



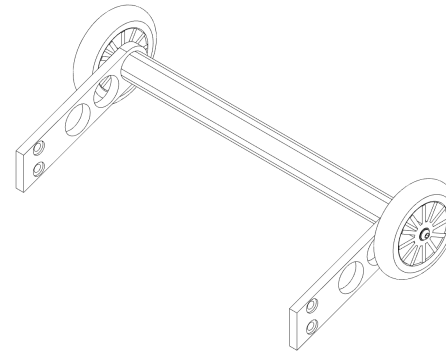
1x 8mm HEX key / Allen key \*



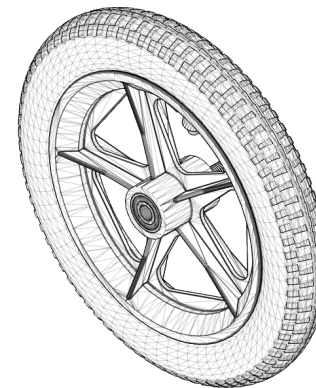
\* Supplied

## WHAT IS INCLUDED?

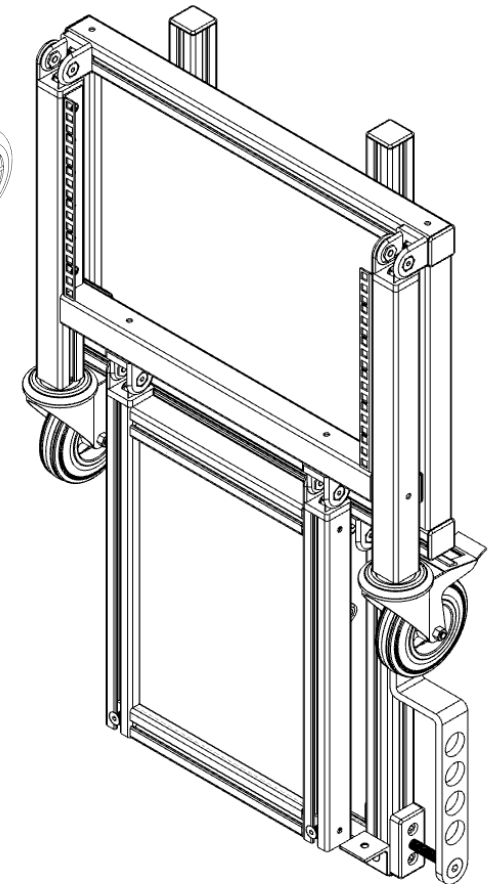
After removing from its packaging, check that you have the following:



**1x**  
SC-PSC.001



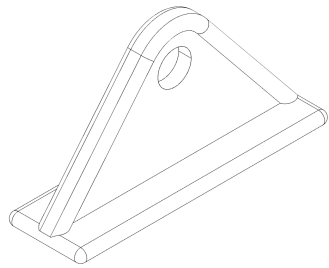
**2x**  
SC-PSC.002



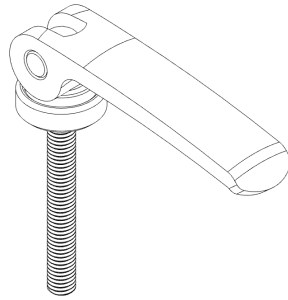
**1x**  
SC-PSC.003

# SC-PSC

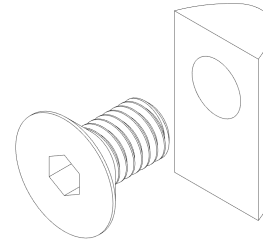
---



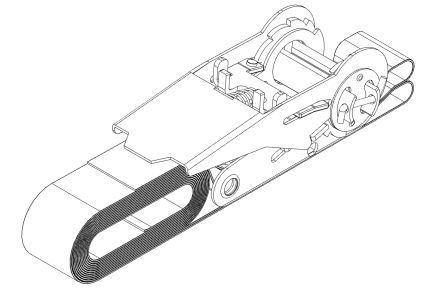
**2x**  
SC-PSC.004



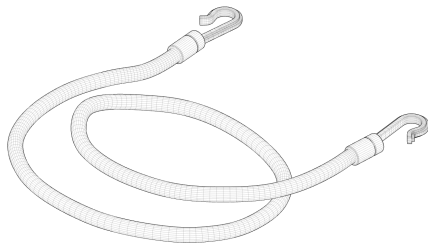
**2x**  
SC-PSC.005



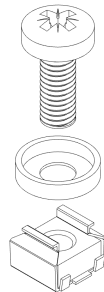
**2x**  
SC-PSC.008



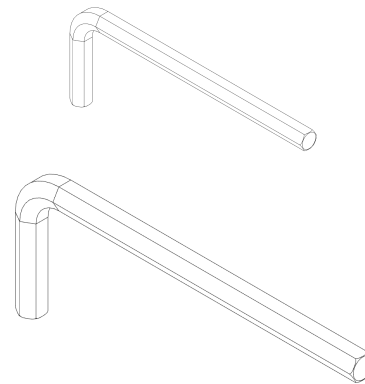
**1x**  
SC-PSC.009



**1x**  
SC-PSC.006



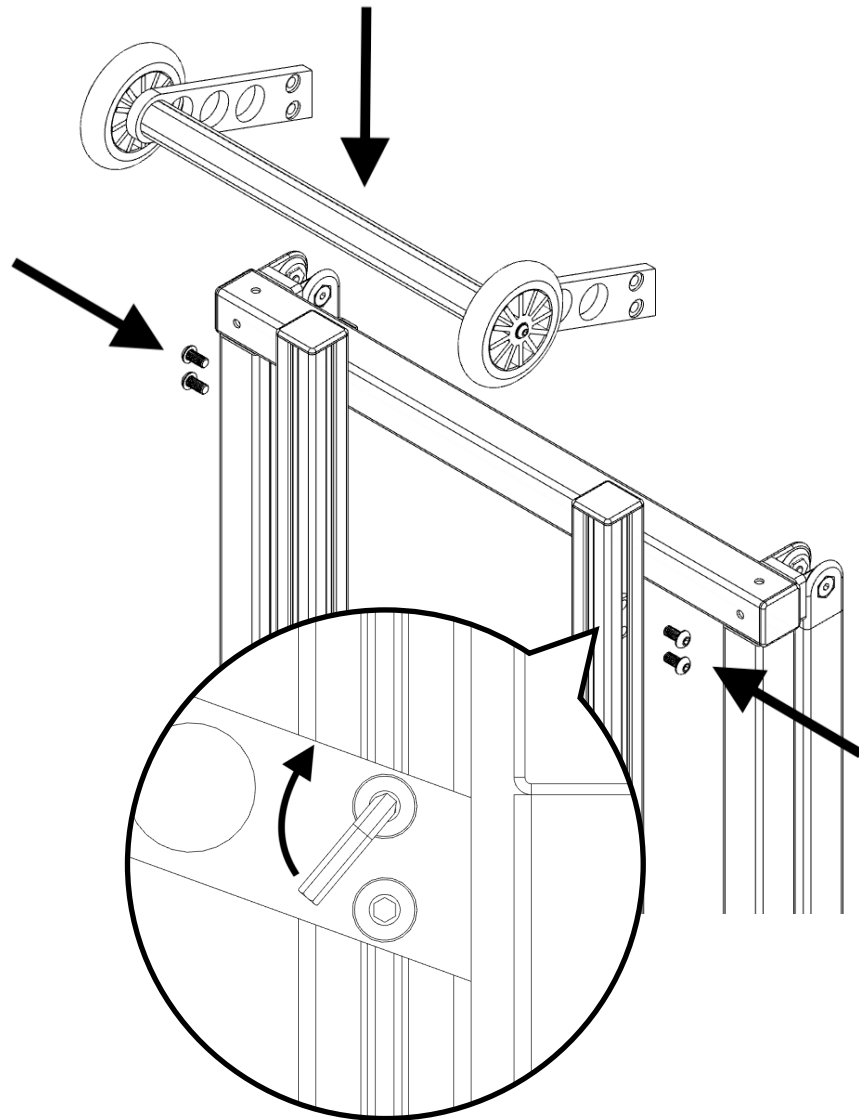
**4x**  
SC-PSC.007



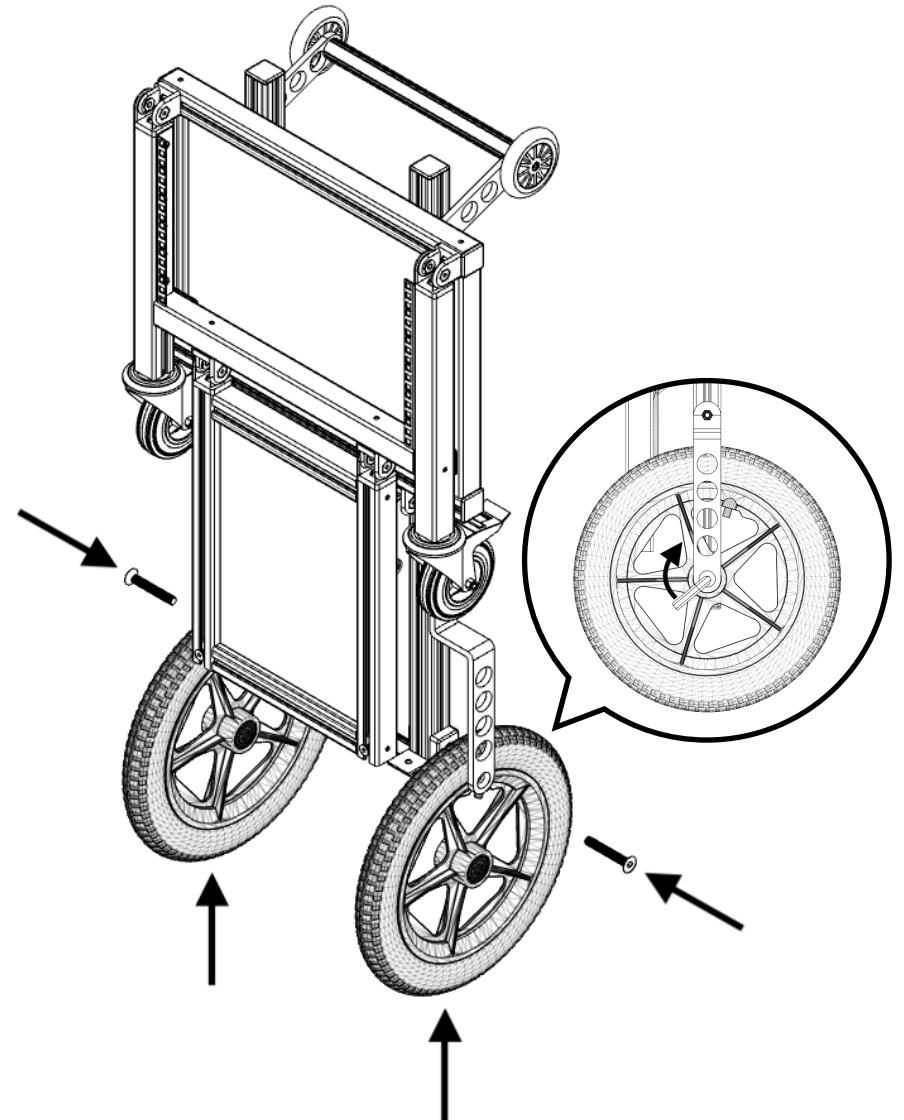
**1x**  
SC-PSC.010

# SC-PSC

1



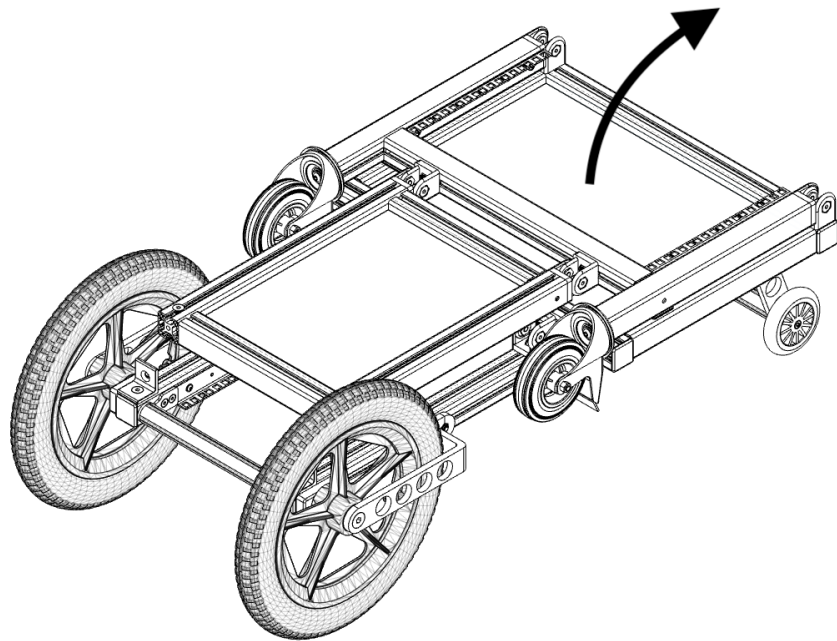
2



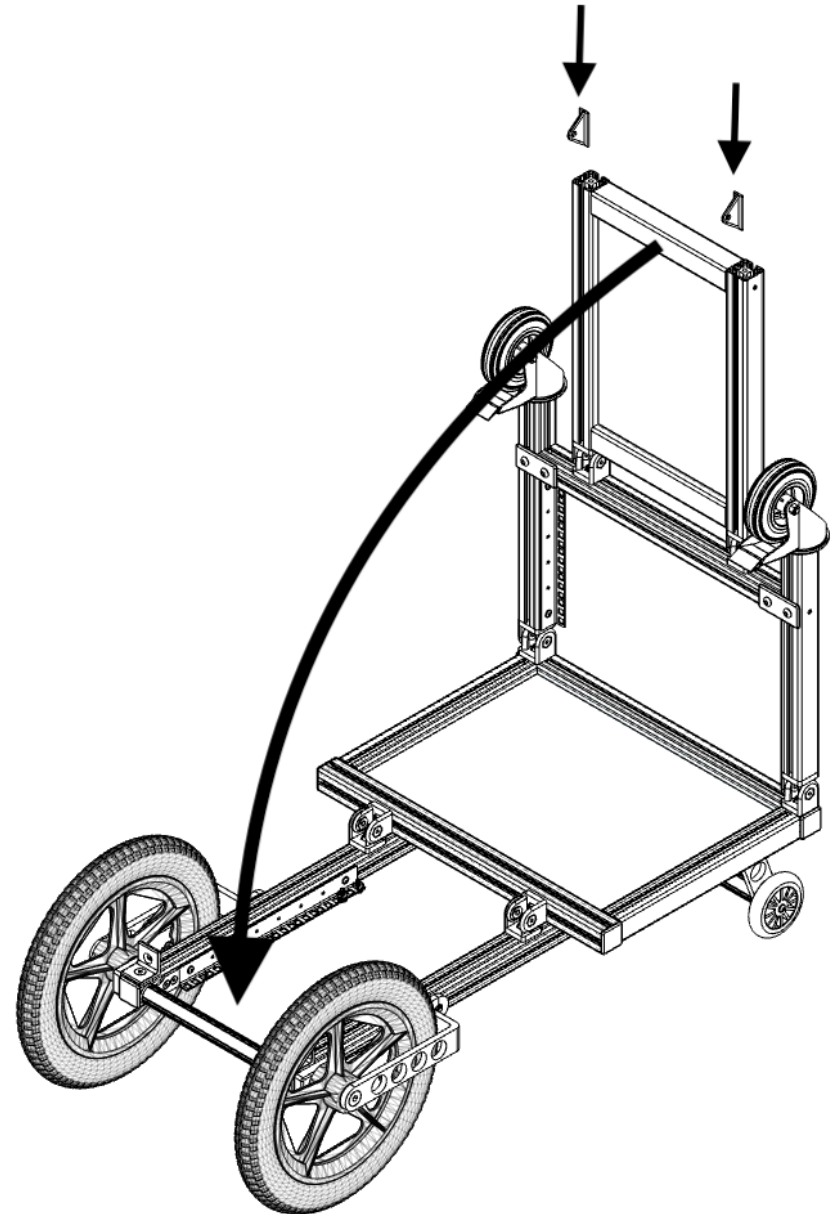
# SC-PSC

---

3

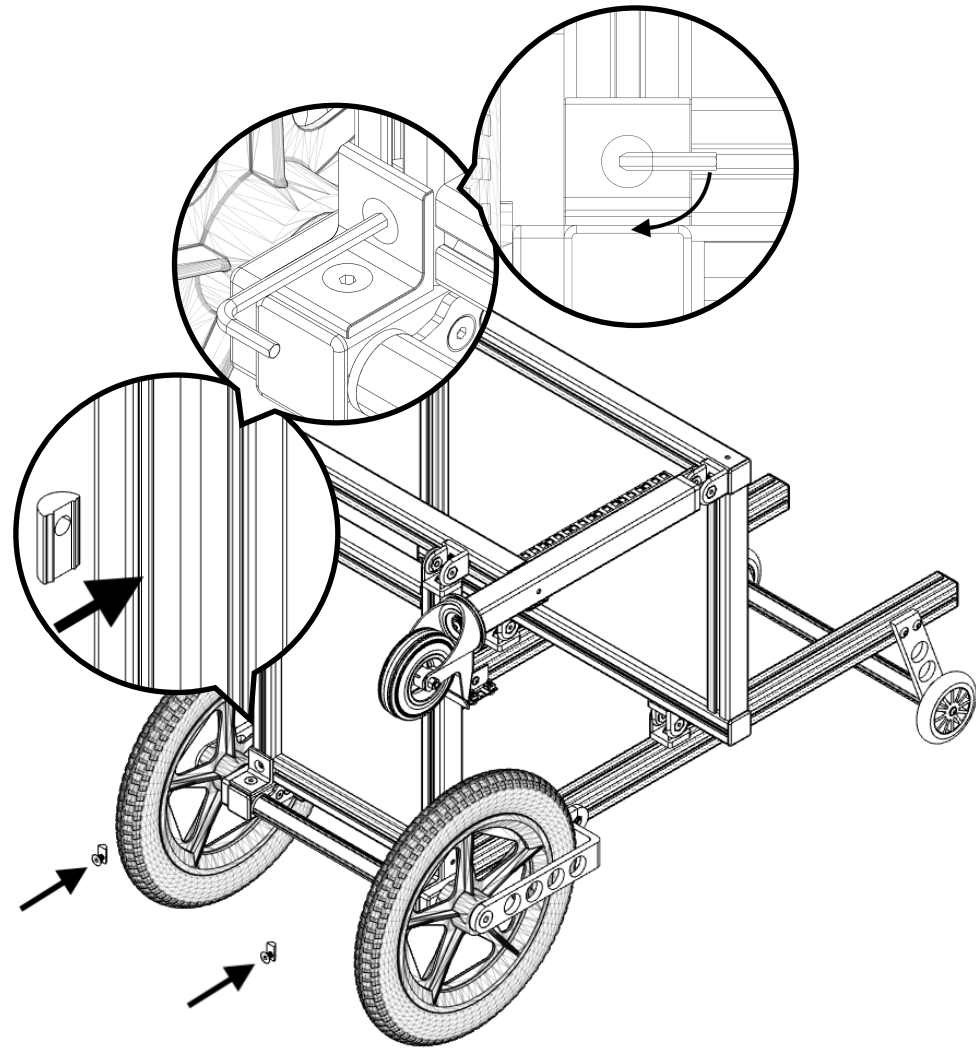


4

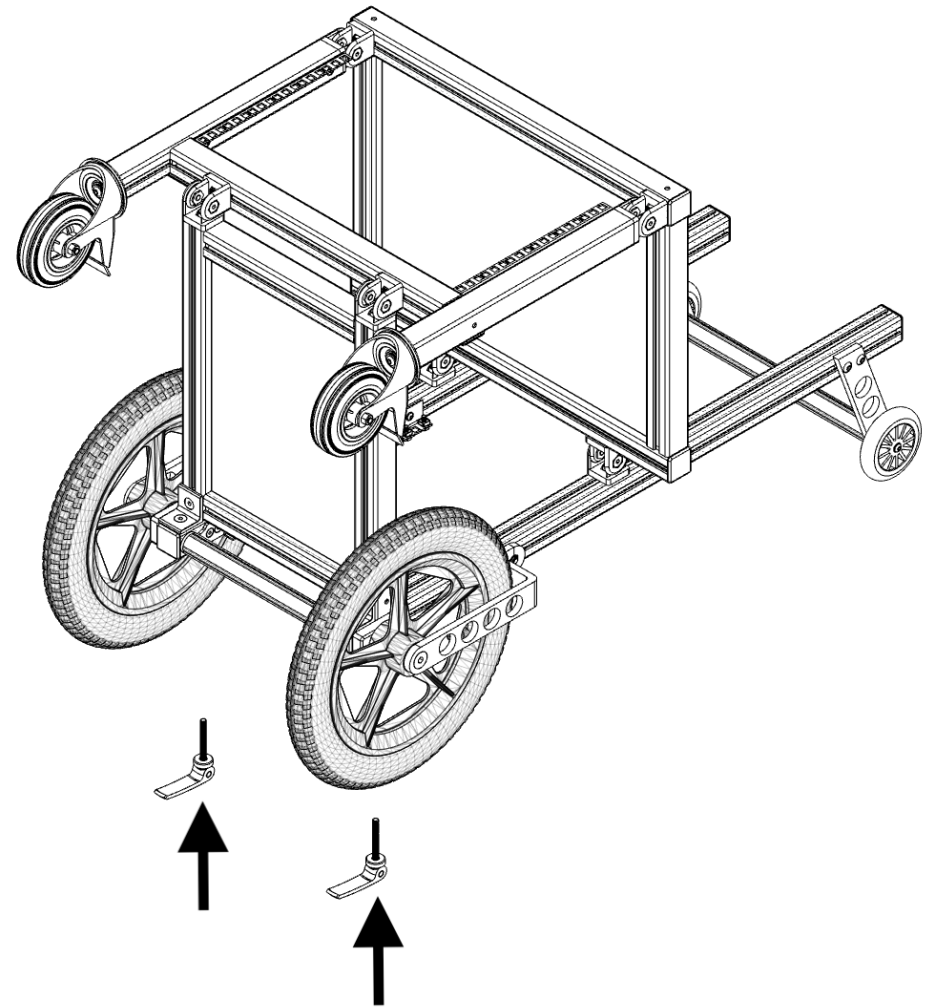


# SC-PSC

5



6

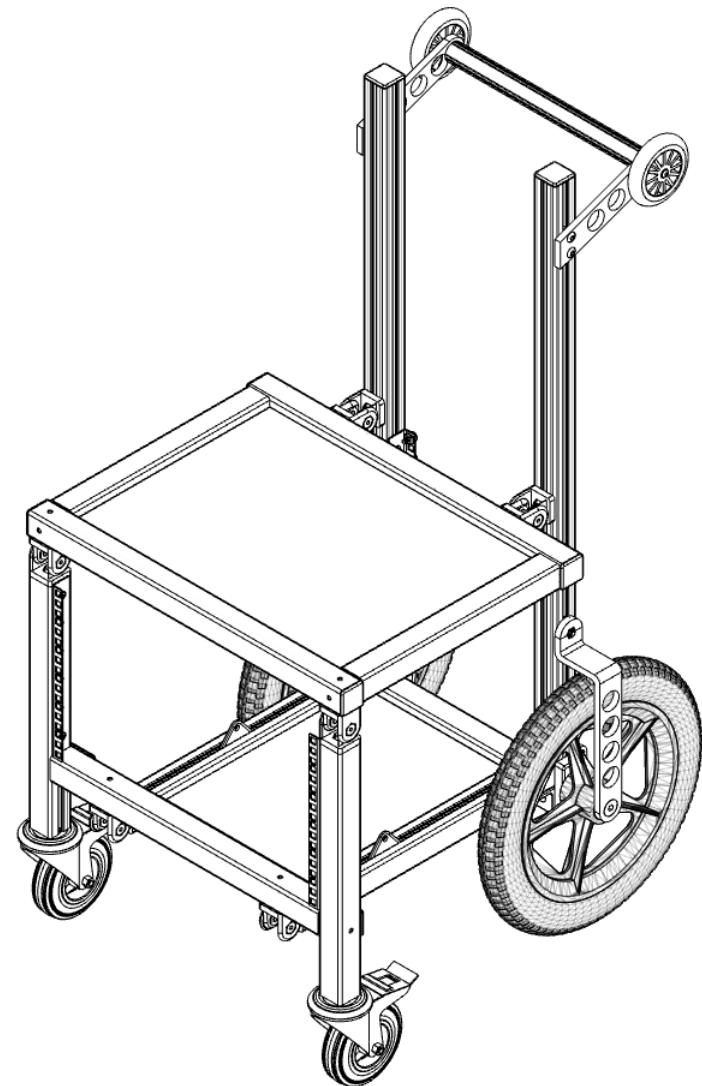
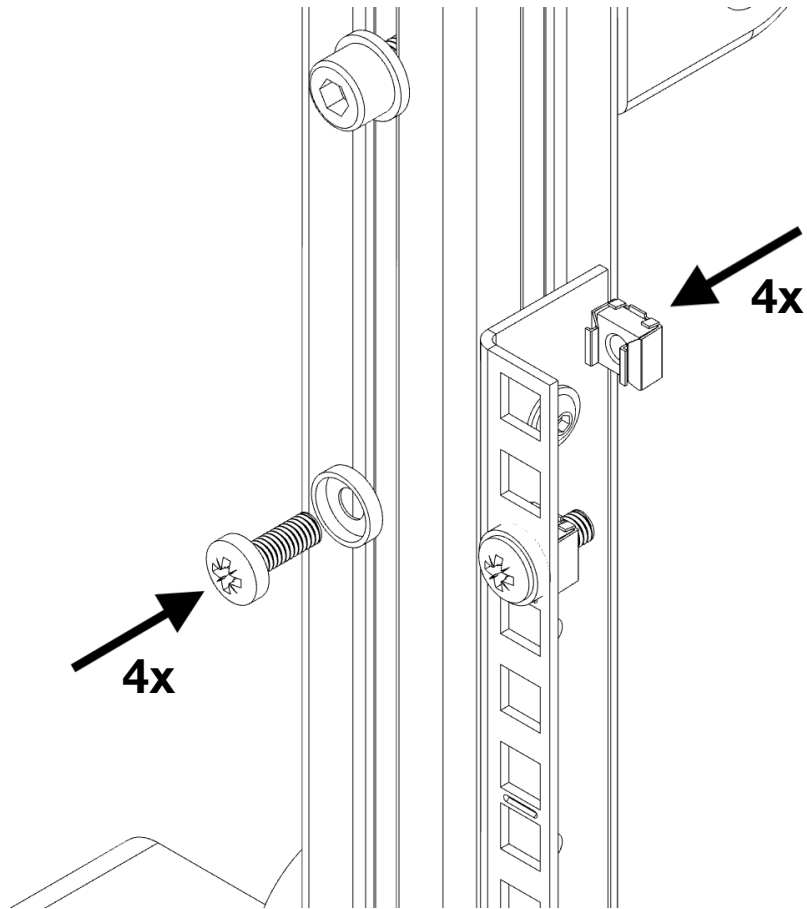


# SC-PSC

7

## CONGRATULATIONS

Congratulations you have successfully assembled your cart.



# SC-PSC

---

## SUPPORT

Please contact us if you have any comments, suggestions or questions regarding this cart at:

✉ [support@soundcart.audio](mailto:support@soundcart.audio)

f [www.facebook.com/soundcart](http://www.facebook.com/soundcart)

📷 [www.instagram.com/soundcart](http://www.instagram.com/soundcart)

### Warranty

SOUNDCART.audio extends a limited one-year parts and labour warranty to all owners of this accessory from the date of original purchase. SOUNDCART.audio warrants this accessory to be free of defective material and workmanship for a period of one year from the original date of purchase and agrees to repair or replace such defective part(s) or the entire product at its option, provided it is returned to SOUNDCART.audio. Shipping and insurance costs to SOUNDCART.audio must be prepaid by the owner.

This warranty does not cover damage due to accident, abuse or misuse, careless handling, improper connection and/or installation, improper electrical contact or grounding. This warranty does not cover damage due to improper use or force being applied. This warranty will be null and void in the event of service or repair work not performed by SOUNDCART.audio or an authorised agent, failure to properly maintain this accessory or continued use after a defect becomes apparent. Proof of purchase date (copy of invoice) must be provided prior to any warranty service or repair work being performed.

This warranty is in lieu of any other warranty, expressed or implied, including warranties without limitation, products being merchantable at the time of purchase or suitable for a particular purpose. This warranty does not extend to, or include consequential damage. SOUNDCART.audio reserves the right to change the specifications of this accessory without any prior notification.

### Legal Notices

This document is protected under copyright law. Owner's of this product may reproduce this publication for their own personal use. This document may not be reproduced or distributed, in whole or in part, for commercial purposes (which includes selling copies).

Great care has been taken in preparing this document for publication, however since product specifications are subject to change, this document may contain omissions and technical or typographical inaccuracies. The information provided in this manual only serves general information purposes, it may be subject to change at any time without prior notice to improve reliability, function, design or otherwise.

### Governing Law

This agreement and limited warranty are governed by the laws of the United Kingdom

## MAINTENANCE

To ensure your cart remains in tip top condition, it is recommended that you periodically check and tighten all the bolts (both visible and concealed using the supplied tools) as well as grease any casters and bearings.

## SPECIFICATIONS

<b>MINIMUM HEIGHT:</b>	1150mm	45.2 inches
<b>MAXIMUM HEIGHT:</b>	1240mm	48.8 inches
<b>WIDTH:</b>	615mm	24.2 inches
<b>DEPTH:</b>	745mm	29.3 inches
<b>WEIGHT:</b>	24kg	52.9 lbs
<b>MAXIMUM RECOMMEND LOAD:</b>	60kg	132.3 lbs
<b>CONSTRUCTION MATERIAL:</b>	ALUMINIUM	

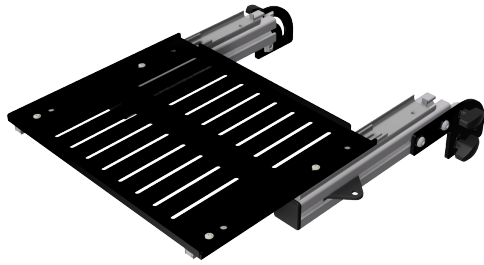
## OPTIONAL ACCESSORIES

To customise your cart, an extensive range of optional accessories are available for non-factory installation (visit <https://store.soundcart.audio> to see the full range). These include;



# SC-PSC

---



**SC-SSN**  
SLIDING SHELF NARROW



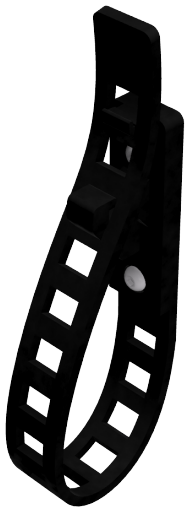
**SC-ANTR**  
ANTENNA RISER



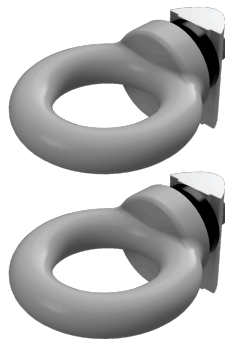
**SC-BOOMH**  
BOOM HOLDER



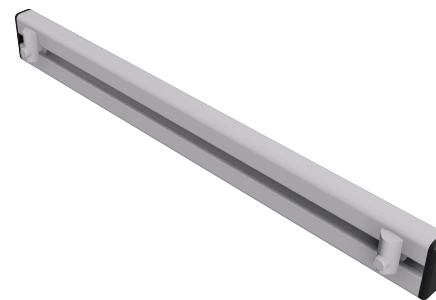
**SC-TBLTH**  
TABLET HOLDER



**SC-CBLH**  
CABLE HOLDER



**SC-MNTP**  
MOUNTING POINTS



**SC-BBAR**  
BRACING BAR



**SC-RHDLX**  
REAR HANDLE EXTENSIONS

# SC-PSC

---



**SC-LPSN**  
FOLDING LOW PROFILE SHELF



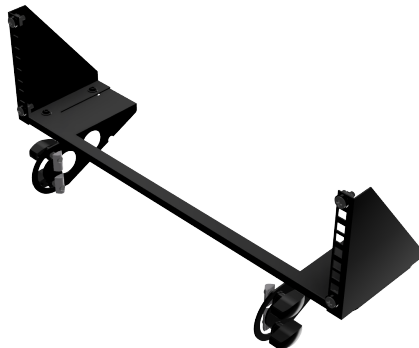
**SC-ARMQR**  
QUICK RELEASE ARM



**SC-CUPH**  
CUP HOLDER



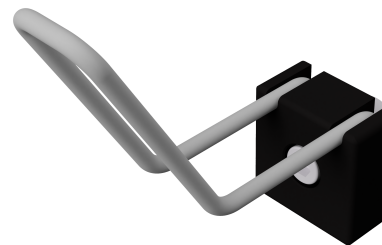
**SC-F8CW**  
8 INCH FRONT WHEEL KIT



**SC-3URAD**  
3u 19 INCH RACK ADAPTER



**SC-SHNDLS**  
SIDE HANDLES



**SC-HDPHH**  
HEADPHONE HOLDER



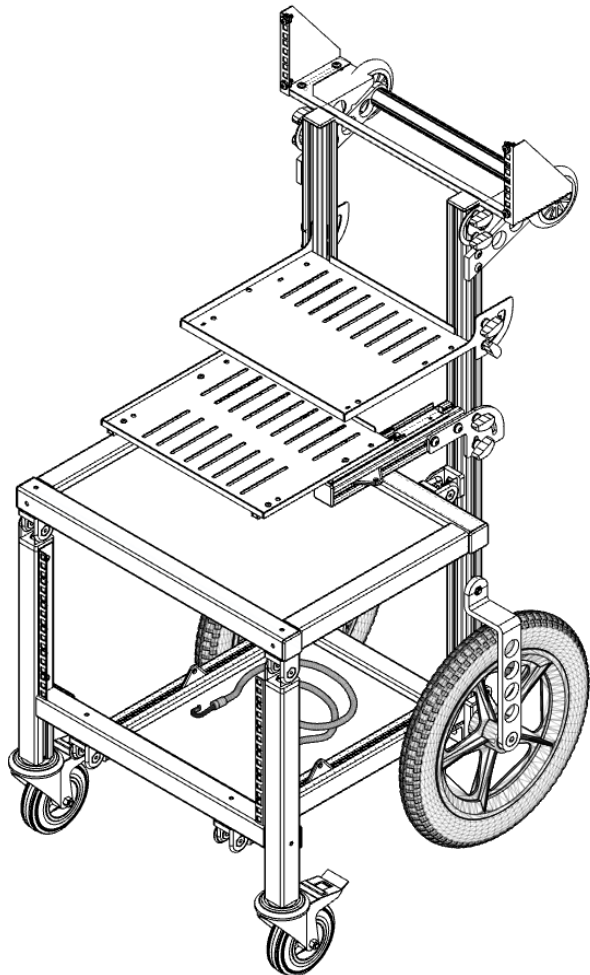
**SC-SCRPTH**  
SCRIPT HOLDER

# SC-PSC

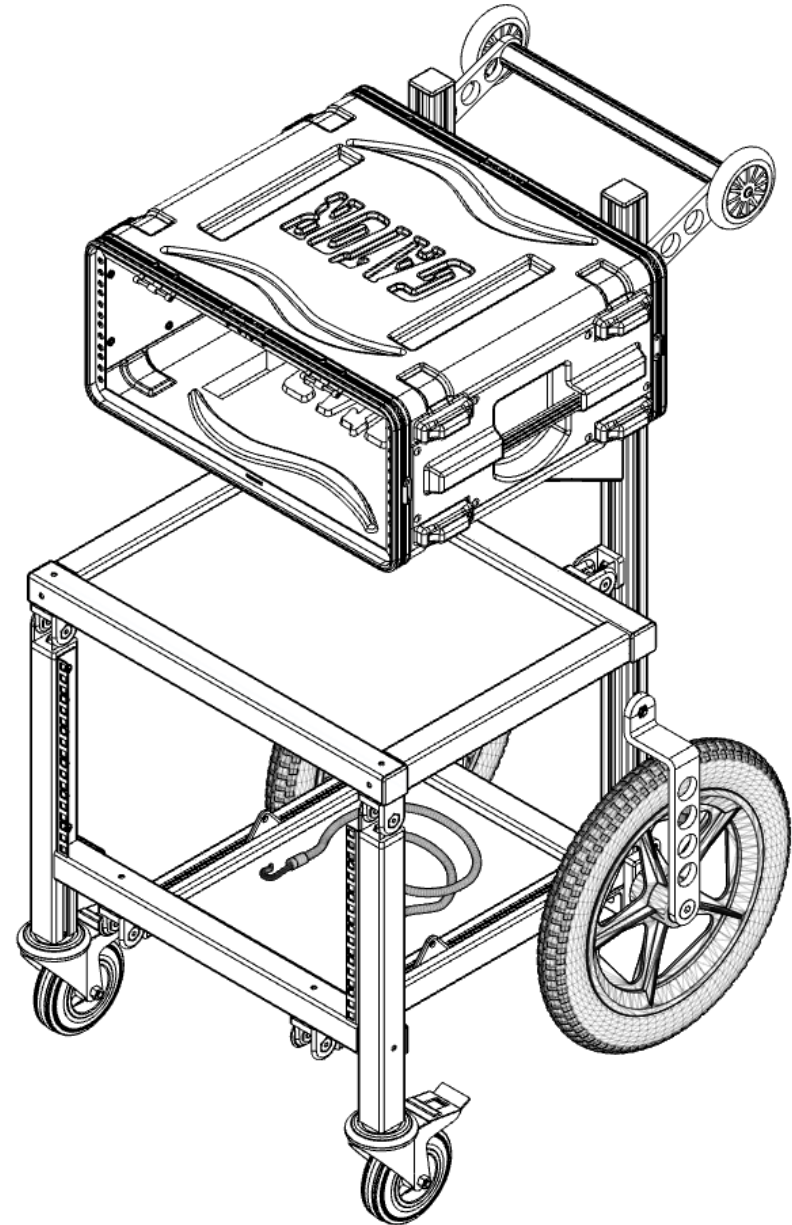
## WORK YOUR WAY

The modular design of this cart means it can fit *your* workflow. Here are some ideas;

**Includes;** SC-3URAD + SC-LPSN + SC-SSN



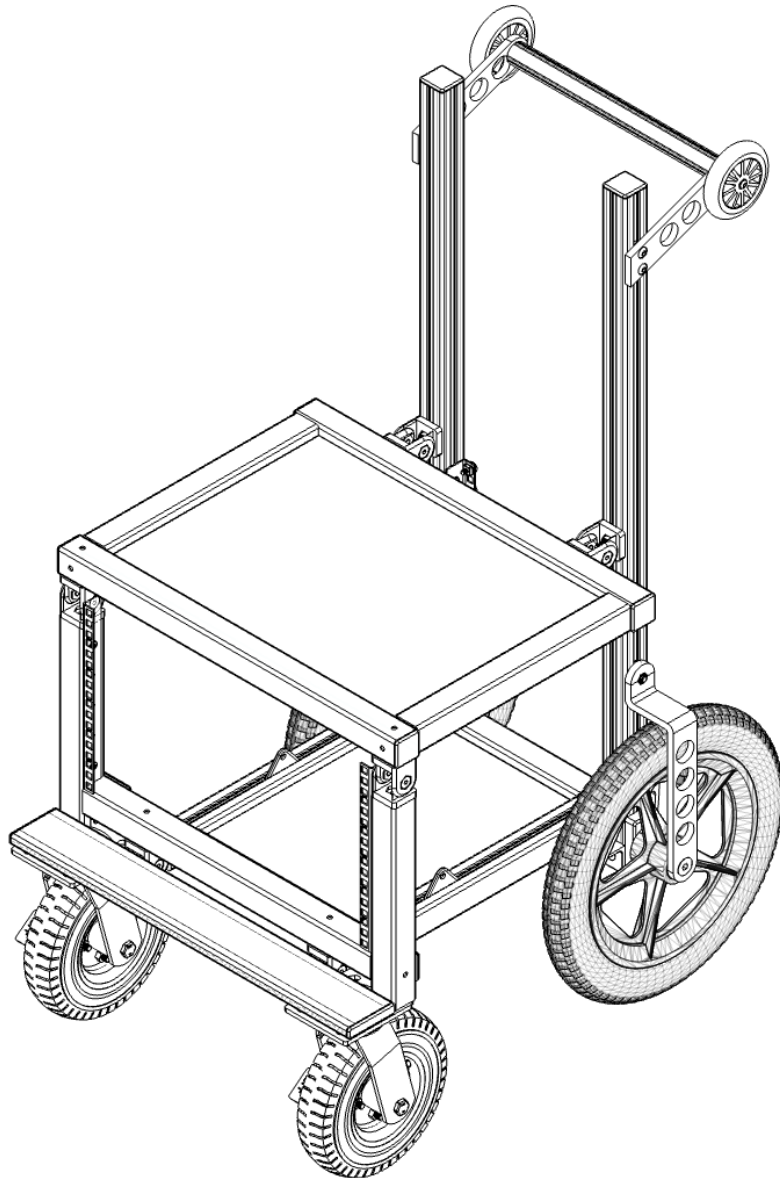
**Includes;** SC-HVDSB (leaving room for a mixing desk below)



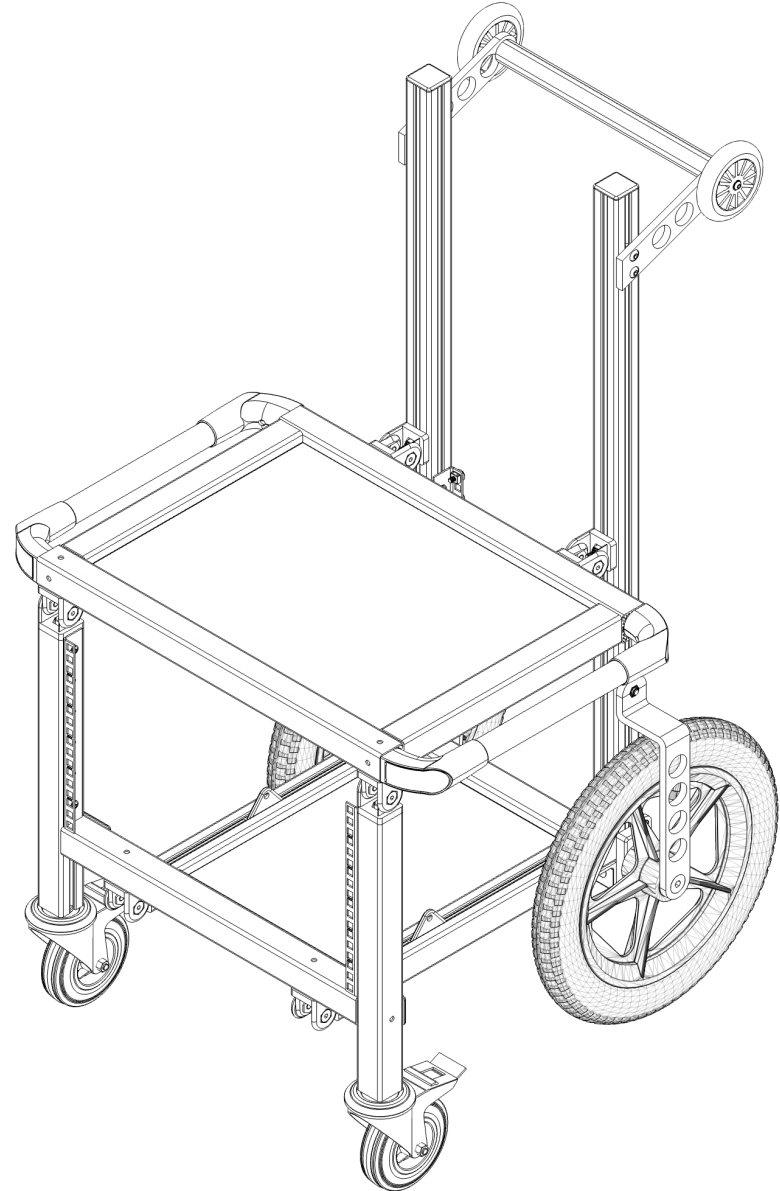
# SC-PSC

---

Includes; SC-F8CW



Includes; SC-SHNDLS



# SC-PSC

---

